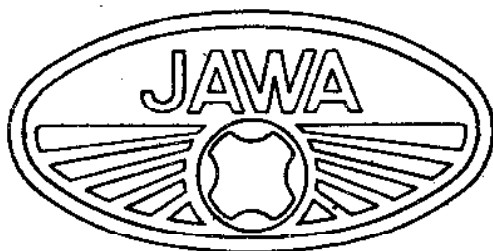


**SPARE PARTS LIST
ULTRA-LIGHTWEIGHT MOTORCYCLE**

JAWA 50 c.c.



Model 550

1957

**SPARE PARTS LIST
ULTRA-LIGHTWEIGHT
MOTORCYCLE**

JAWA 50 c. c.

Model 550

Beginning with engine No. 10 001

Cylinder capacity

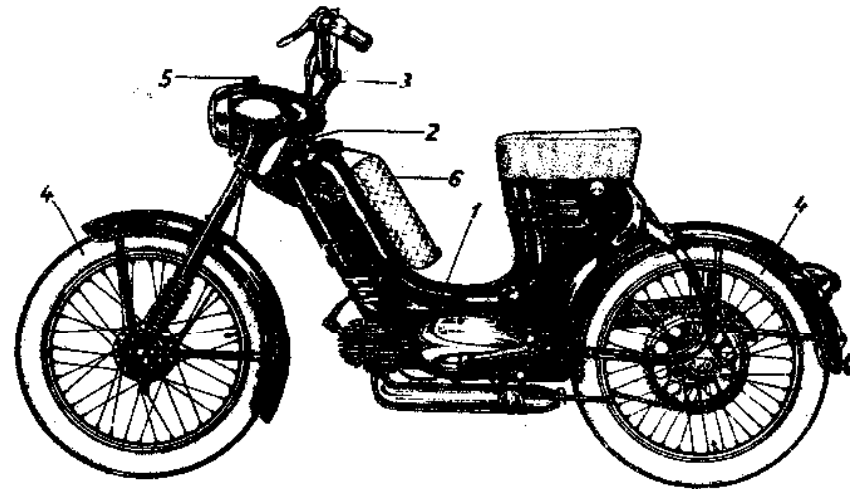
49.8 c.c.

Engine output

1,4 HP at 5.000 r.p.m.

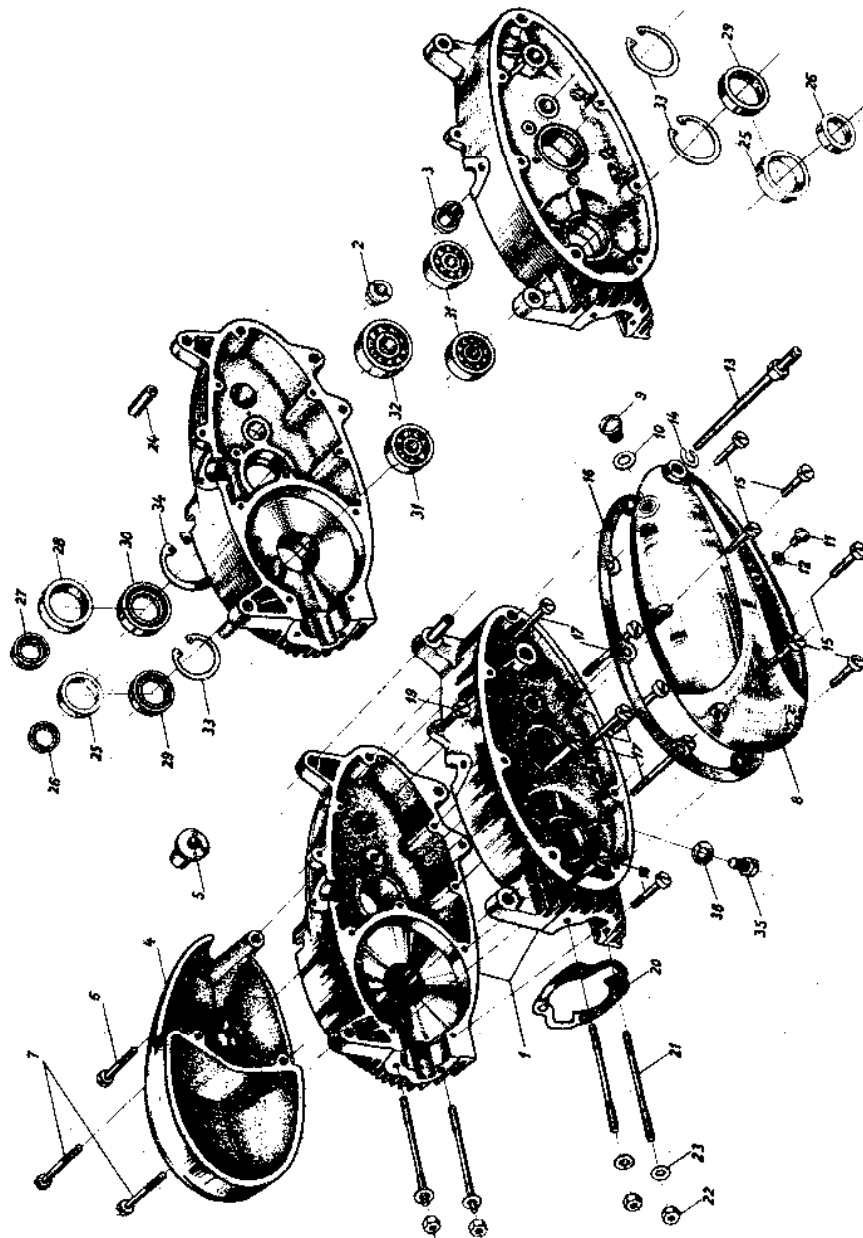
JawaMoped.com

I N D E X



Main group	Sub-group	Part No.	Page
Engine assembly	Crankcase	359-11-000	7
	Crankshaft and connecting rod assembly	359-12-000	9
	Cylinder barrel with cylinder head	359-13-001	9
	Carburettor	359-16-000	11
	Transmission and kick starter	359-22-000	13
	Foot gear change	359-24-000	15
	Clutch	359-28-000	15
	Exhaust pipe and silencer	359-01-000	17
Frame, complete	Frame with pivoted rear fork	359-31-000	19
	Rear mudguard	359-33-001	21
	Saddle	359-34-000	21
	Tool boxes, covers and cowls	359-36-000	23
	Footrests, stand and brake pedal	359-37-000	25
	Fuel tank	359-39-000	25
Steering and controls	Front fork	359-41-000	27
	Front mudguard	359-43-000	29
	Handlebars with control cables	359-46-000	29
Wheels	Front wheel	359-51-000	31
	Rear wheel	359-56-000	33
Electrical equipment	Leads	359-60-100	35
	Magneto	359-61-000	37
	Electric horn	359-62-000	39
	Switch box	359-63-000	39
	Dip. switch and stop switch	359-65-101	41
	Ignition coil	359-66-000	41
	Headlamp	359-67-000	43
	Tail lamp	359-33-000	43
Dry cell battery with bracket	359-69-000	43	
Tools and sundries	Tools and tyre inflator	359-71-000	45
	Luggage carrier	359-76-000	47

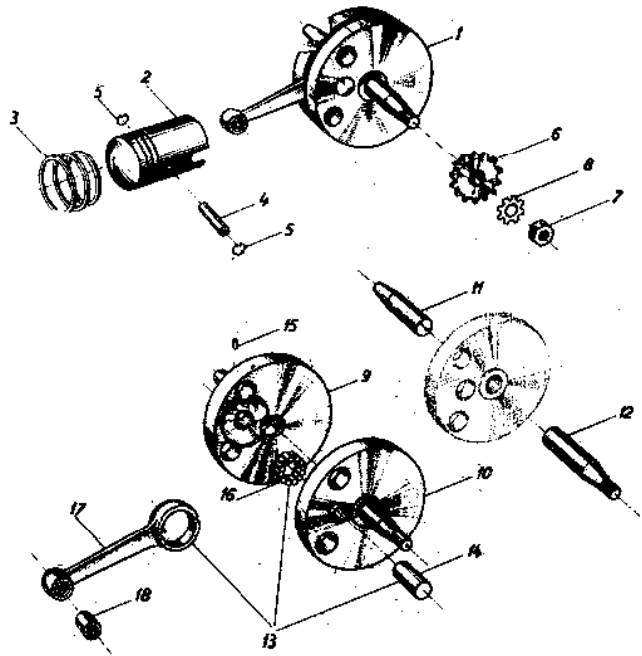
C R A N K C A S E



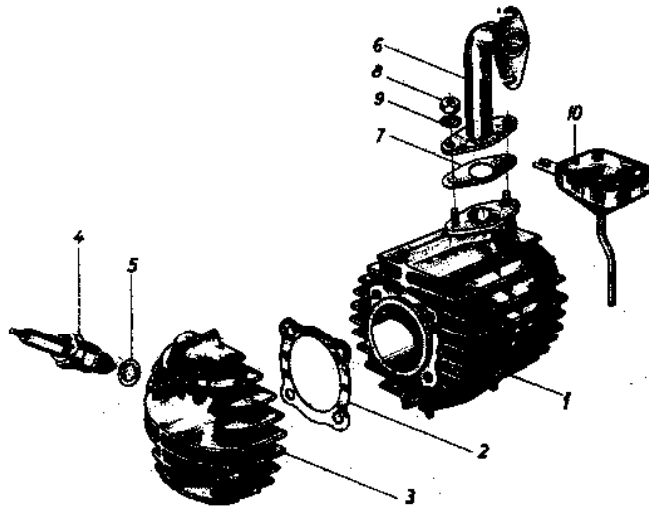
Ref. No.	Part No.	Spare part	Number per set	Note
1	550-11-300	Crankcase with bushes	1	Includes items 2,3 and 24
2	359-11-121	Bush	1	See Note 1/
3	550-11-212	Bush	1	See Note 1/
4	359-11-010	R.H. cover with bush	1	
5	359-11-012	Bush	1	See Note 2/
6	6 11131 2115	Screw M 6 x 45	1	
7	6 11131 2117	Screw M 6 x 50	2	
8	550-11-021	L.H. cover	1	
9	351-11-201	Plug M 14 x 1,5	1	
10	150-11-008	Seal	1	
11	6 11148 2100	Screw M 6 x 8	1	
12	150-11-061	Seal	1	
13	550-11-031	Stud	1	
14	6 11740 2102	Washer 10	1	
15	6 13133 2075	Screw M 5 x 25	6	
16	359-11-033	L.H. cover gasket	1	
17	6 11131 2085	Screw M 5 x 50	6	
18	6 11131 2081	Screw M 5 x 40	2	
19	6 11133 2072	Screw M 5 x 18	1	
20	359-11-034	Gasket /under cylinder barrel/	1	
21	359-11-031	Stud	1	
22	6 11401 2006	Nut M 6	4	
23	6 11701 3064	Washer 6,4	4	
24	359-11-122	Dowel bush	2	
25	550-11-251	Ring dia 35	2	See Note 3/
26	550-11-141	Shaft seal ring dia 15x24x7	2	
27	550-11-142	Shaft seal ring dia 25x35x7	1	See Note 4/
28	550-11-252	Ring dia 42	1	
29	359-11-131	Shaft seal ring dia 15x35x7	2	
30	359-11-132	Shaft seal ring dia 25x42x7	1	
31	6 14636 6202	Ball bearing	3	
32	6 14633 6004	Ball bearing	1	
33	6 12931 0035	Securing ring 35 x 1,5	3	
34	6 12931 0042	Securing ring 42 x 1,75	1	
35	6 11103 2169	Screw M 8 x 10	1	
36	353-11-114	Seal	1	

- Note :
- 1/ After being pressed into position to be reamed to dia 11 HS $\begin{matrix} /+0,02 \\ /- 0,00 \end{matrix}$
 - 2/ After being pressed into position to be reamed to dia 12 H 10 $\begin{matrix} /+ 0,070/ \\ /- 0,000/ \end{matrix}$
 - 3/ Alternately item 26 and item 25 /shaft seal ring with ring/ or item 29 /without ring/ is fitted.
 - 4/ Alternately item 27 and item 28 or item 30 /without ring/ is fitted.

CRANKSHAFT AND CONNECTING ROD ASSEMBLY



Ref. No.	Part No.	Spare part	Number per set	Note
1	359-12-100	Flywheel with connecting rod	1	
2	359-12-005	Piston	1	See page 48, Piston grade
	359-12-006	Piston - first rebore		
	359-12-007	Piston - second rebore		
	359-12-008	Piston - third rebore		
	359-12-009	Piston - fourth rebore		
3	359-12-014	Piston ring dia 38	3	
	359-12-015	Piston ring - 1st rebore dia 38,25		
	359-12-016	Piston ring - 2nd rebore dia 38,50		
	359-12-017	Pistonring - 3rd rebore dia 38,75		
	359-12-018	Piston ring - 4th rebore dia 39		
4	359-12-024	Gudgein pin dia 10 x 32	1	
5	359-12-034	Circlip dia 11,6	2	
6	359-12-023	Engine sprocket 14 T	1	
7	6 11403 0112	Nut M 12 x 1,5	1	
8	6 11740 0122	Washer 12,2	1	
9	359-12-113	R.H. crankshaft	1	
10	359-12-118	L.H. crankshaft	1	
11	359-12-114	R.H. pin	1	
12	359-12-119	L.H. pin	1	
13	359-12-129	Connecting rod with pin and roller bearing	1	
14	359-12-127	Crank pin A	1	
15	359-12-033	Peg dia 4	1	
16	359-12-128	Roller dia 5 x 8 A	13	
17	359-12-123	Connecting rod with big end outer race A	1	
18	359-12-126	Connecting rod small end bush	1	

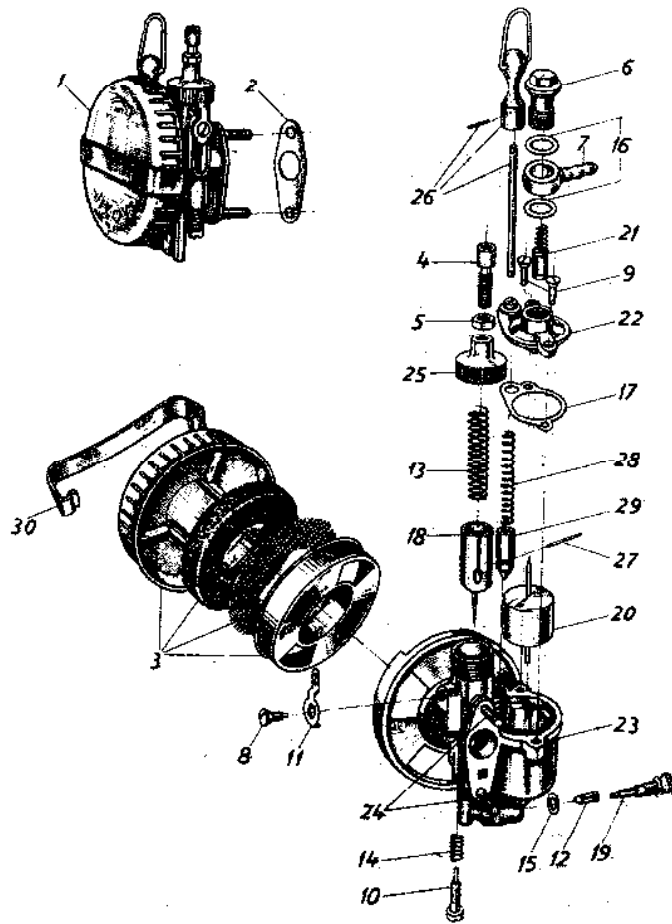


CYLINDER BARREL WITH CYLINDER HEAD

1	359-13-040	Cylinder barrel complete	1	See page 48, Cylinder grades
2	359-13-032	Cylinder head gasket	1	
3	359-13-031	Cylinder head	1	
4	6 94143 0175	Sparking plug 175	1	
5	6 94149 0014	Sparking plug washer	1	
6	359-13-020	Admission flange	1	
7	359-13-033	Admission flange gasket	1	
8	6 11401 2006	Nut M 6	2	
9	6 11740 2061	Washer 6,1	2	
10	359-10-020	Overflow cup	1	
11	359-13-042	Stud	4	

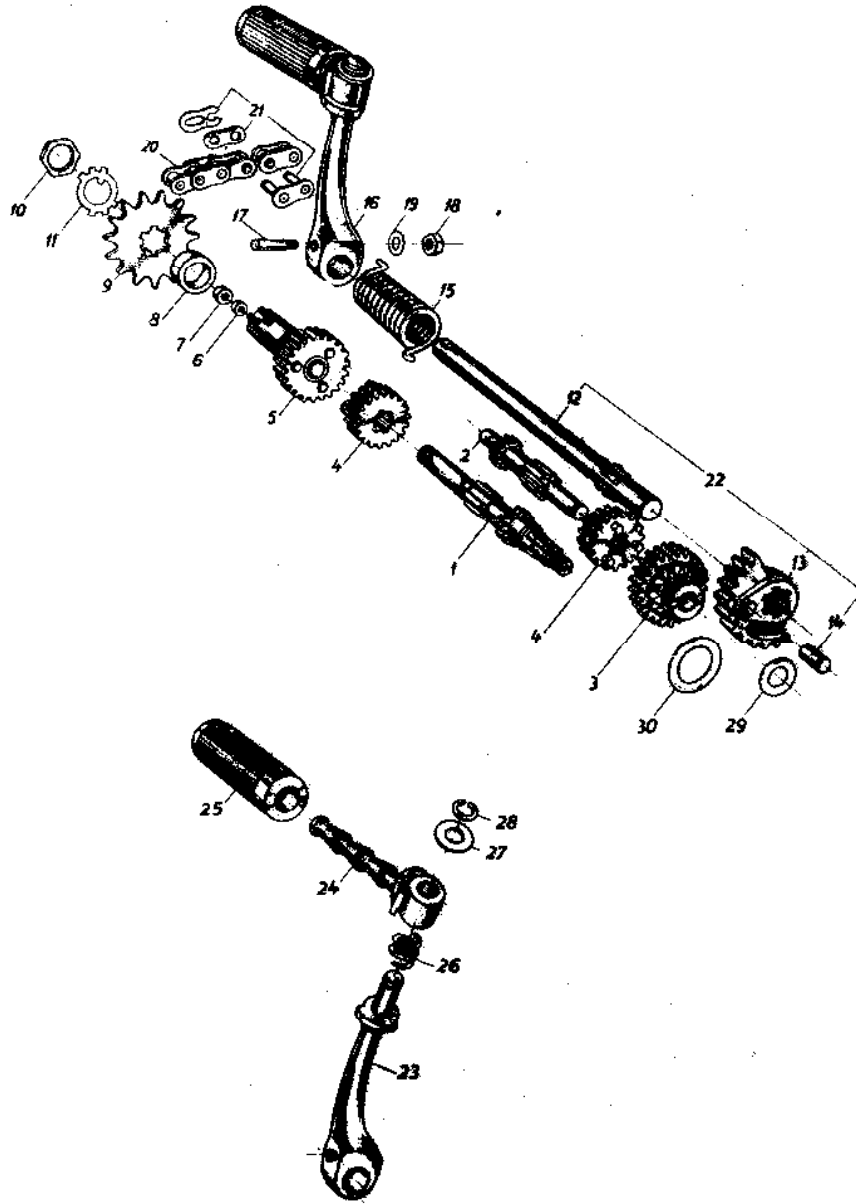
Note:

1/ After being pressed into position should be reamed to dia
10 F6 + 0,013
- 0,022



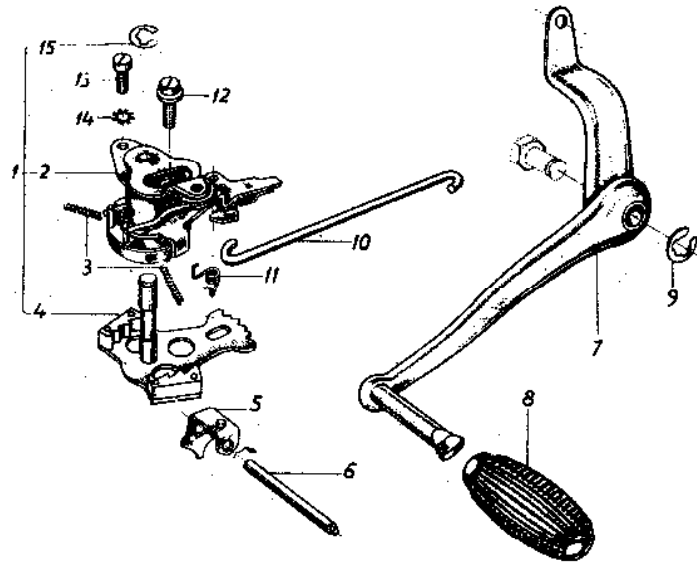
Ref. No.	Part No.	Spare part	Number per set	Note
1	359-16-000	Carburetter with air cleaner	1	
2	359-10-012	Gasket	1	
3	359-16-010	Air cleaner	1	
4	359-16-011	Throttle cable adjuster	1	
5	359-16-012	Adjuster nut	1	
6	359-16-013	Fuel connection screw	1	
7	359-16-014	Fuel connection	1	
8	359-16-015	Clamp screw	1	
9	359-16-016	Float chamber top screw	2	
10	359-16-017	Pilot air screw	1	
11	359-16-018	Clamp	1	
12	359-16-019	Main jet	1	
13	359-16-020	Throttle valve spring	1	
14	359-16-021	Pilot air screw spring	1	
15	359-16-022	Needle jet seal	1	
16	359-16-023	Connection seal	2	
17	359-16-024	Float chamber top gasket	1	
18	359-16-025	Throttle valve complete	1	
19	359-16-026	Main needle jet complete	1	
20	359-16-027	Float	1	
21	359-16-028	Screen	1	
22	359-16-029	Float chamber top	1	
23	359-16-030	Mixing chamber	1	
24	359-16-031	Flange screw	2	
25	359-16-032	Mixing chamber top	1	
26	359-16-033	Piston rod	1	
27	359-16-034	Circlip	1	
28	359-16-037	Piston spring	1	
29	359-16-038	Carburetter piston	1	
30	359-16-039	Air cleaner spring	1	
31	6 11401 2005	Nut M 5	2	
32	6 11740 2051	Washer 5,1	2	

TRANSMISSION

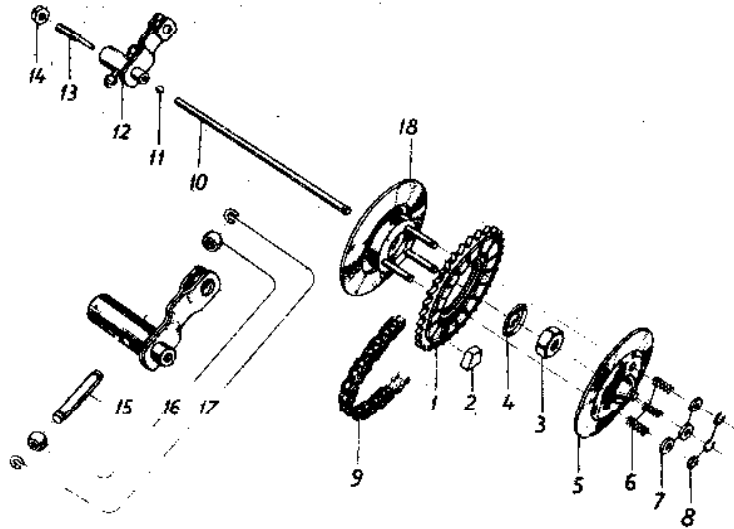


Ref. No.	Part No.	Spare part	Number per set	Note
1	359-22-032	Mainshaft	1	
2	359-22-033	Layshaft	1	
3	550-22-040	1st gear sprocket 14 T, 24 T	1	
4	359-22-035	2nd gear sprocket 19 T	2	
5	359-22-020	Gear with driving hub 24 T	1	Includes items 6 and 7
6	355-22-057	Seal ring	1	
7	359-22-023	Plug	1	
8	359-22-037	Ring	1	
9	359-22-036	Gearbox sprocket 14 T	1	
10	355-22-048	Nut	1	
11	355-22-049	Circlip	1	
12	550-22-042	Kick startershaft	1	
13	550-22-041	Kick starter quadrant	1	
14	550-22-043	Peg	1	
15	550-22-046	Kick starter spring	1	
16	550-22-050	Kick starter complete	1	Includes items 23,24,25,26,27,28
17	550-22-038	Kick starter pin	1	
18	6 11401 3006	Nut M 6	1	
19	6 11701 3064	Washer 6,4	1	
20	359-00-041	Secondary chain 12,7 x 5,2 111 links	1	
21	359-00-042	Connecting link 12,7 x 5,2	1	
22	550-22-040	Kick starter shaft with quadrant	1	
23	550-22-031	Kick starter bracket	1	
24	150-22-050	Kick starter pedal	1	
25	150-22-053	Pedal rubber	1	
26	150-22-051	Spring	1	
27	150-22-052	Washer	1	
28	151-22-051	Circlip	1	
29	550-22-045	Spacer	1	
30	359-22-041	Distance piece	1	

FOOT GEAR CHANGE MECHANISM



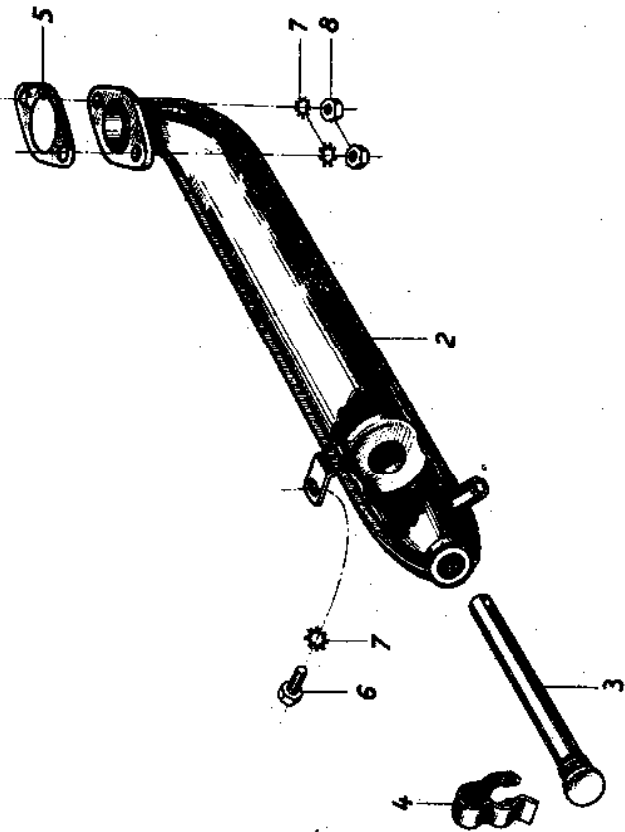
Ref. No.	Part No.	Spare part	Number per set	Note
1	550-24-200	Gear change mechanism	1	Includes items 2, 3, 11 and 15
2	550-24-109	Cam plate with pawl	1	
3	550-24-032	Spring	2	
4	359-24-020	Cam complete	1	
5	359-24-010	Fork complete	1	
6	359-24-030	Guide	1	
7	550-24-010	Gear change lever complete	1	
8	355-24-012	Pedal rubber	1	
9	6 12929 0007	Securing ring dia 7	1	
10	550-24-021	Rod	1	
11	359-24-134	Spring	1	
12	550-10-012	Buffer	1	
13	6 11133 2104	Screw M 6 x 18	1	
14	6 11740 2061	Washer 6,1	2	
15	6 12929 0009	Securing ring dia 9	1	
16	550-24-022	Washer	1	



CLUTCH

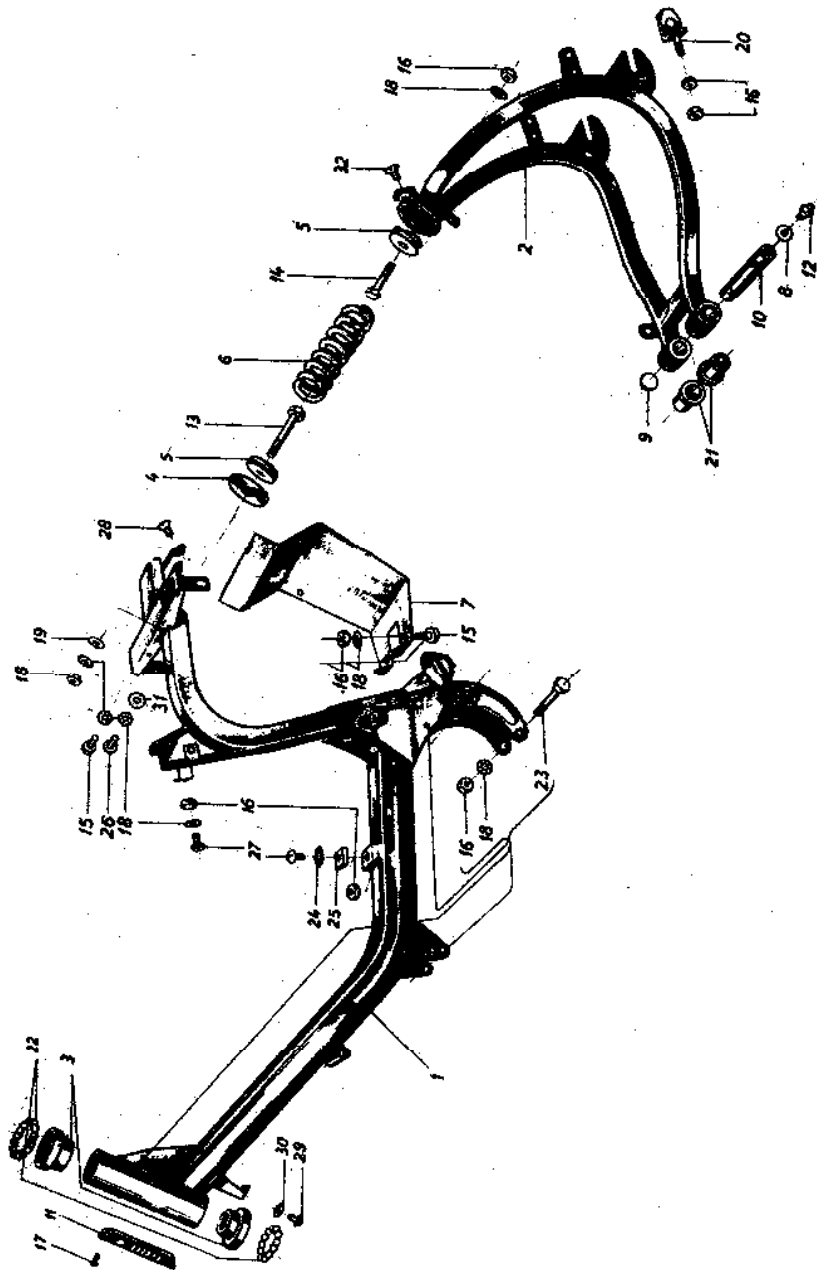
Ref. No.	Part No.	Spare part	Number per set	Note
1	359-28-010	Clutch chainwheel complete	1	
2	359-28-013	Cork insert	16	
3	6 11403 2110	Nut M 10 x 1	1	
4	359-28-042	Securing ring	1	
5	359-28-030	Pressure plate	1	
6	359-28-046	Spring	3	
7	359-28-043	Washer	3	
8	6 12929 0004	Securing ring dia 4	3	
9	359-00-011	Endless chain 44 links	1	
10	359-28-041	Clutch operating rod	1	
11	6 13680 0005	Ball dia 5	3	
12	550-28-210	Clutch operating pin with bracket	1	
13	550-28-2,7	Screw	1	
14	6 11403 2006	Nut M 6	2	
15	359-28-122	Shaft	1	
16	359-28-123	Pulley	2	
17	150-28-087	Circlip	2	
18	359-28-020	Fixed plate	1	
19	151-28-007	Screw	1	
20	550-28-216	Spacer	1	
21	6 12930 0019	Securing ring 19 x 1,2	1	

EXHAUST PIPE AND SILENCER



Ref. No.	Part No.	Spare part	Number per set	Note
2	359-01-010	Silencer	1	
3	359-01-020	Exhaust pipe	1	
4	359-01-025	Clip	1	
5	359-00-035	Gasket	2	
6	6 11103 2101	Screw M 6 x 10	1	
7	6 11740 2061	Washer 6,1	3	
8	6 11401 2006	Nut	2	

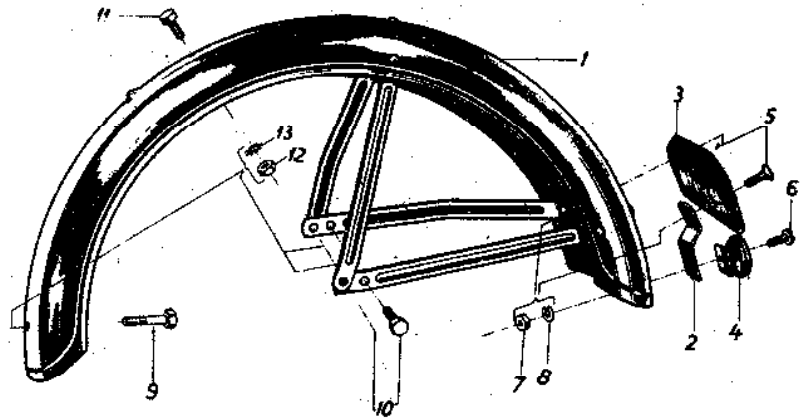
FRAME WITH PIVOTED REAR FORK



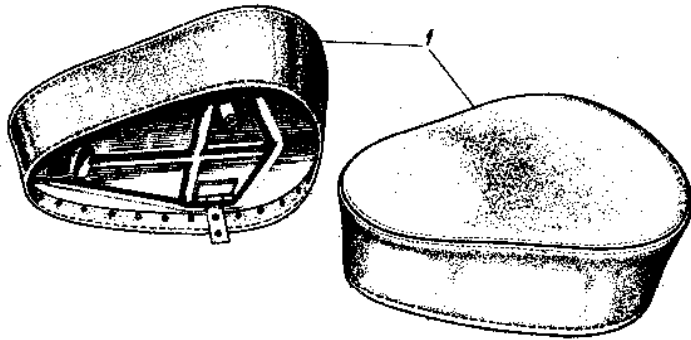
Ref. No.	Part No.	Spare part	Number per set	Note
1	550-31-100	Frame	1	
2	550-31-205	Pivoted rear fork with bushes	1	Including item 21
3	359-31-011	Cup	2	
4	359-31-012	Thrust washer	1	
5	359-31-013	Spring holding nut	2	
6	359-31-014	Spring	1	
7	359-31-015	Bottom	1	
8	359-31-016	L.H. lid	1	
9	359-31-017	L.H. lid	1	
10	359-31-018	Pivoted fork pin	1	
11	550-31-019	Name plate	1	
12	6 17421 3006	Lubricator M 6	1	
13	6 11101 2119	Bolt M 6 x 55	1	
14	6 11101 2109	Bolt M 6 x 30	1	
15	6 11103 2101	Bolt M 6 x 10	3	
16	6 11401 2006	Nut M 6	15	
17	6 12195 2287	Rivet 3 x 6	2	
18	6 11740 2061	Washer 6,1	12	
19	6 11726 2064	Washer 6,4	1	
20	359-31-240	Chain adjuster	2	
21	359-31-251	Bush	2	See Note 1/
22	6 13680 0005	Ball dia 5	42	
23	6 11101 2115	Screw M 6 x 45	3	
24	359-30-011	Washer	1	
24	359-30-012	Rubber washer	1	
26	611148 2101	Screw M 6 x 10	1	
27	6 11148 2100	Screw M 6 x 8	3	
28	6 11157 2101	Screw M 6 x 10	1	
29	6 11148 2067	Screw M 5 x 6	1	
30	6 11740 2051	Washer 5,1	1	
31	6 11721 2070	Washer 7	1	
32	6 11157 2102	Screw M 6 x 12	1	
33	6 11101 2117	Screw M 6 x 50	1	

Note :

1/ After being pressed into position to be reamed to dia 18 HB + 0,027 - 0,000

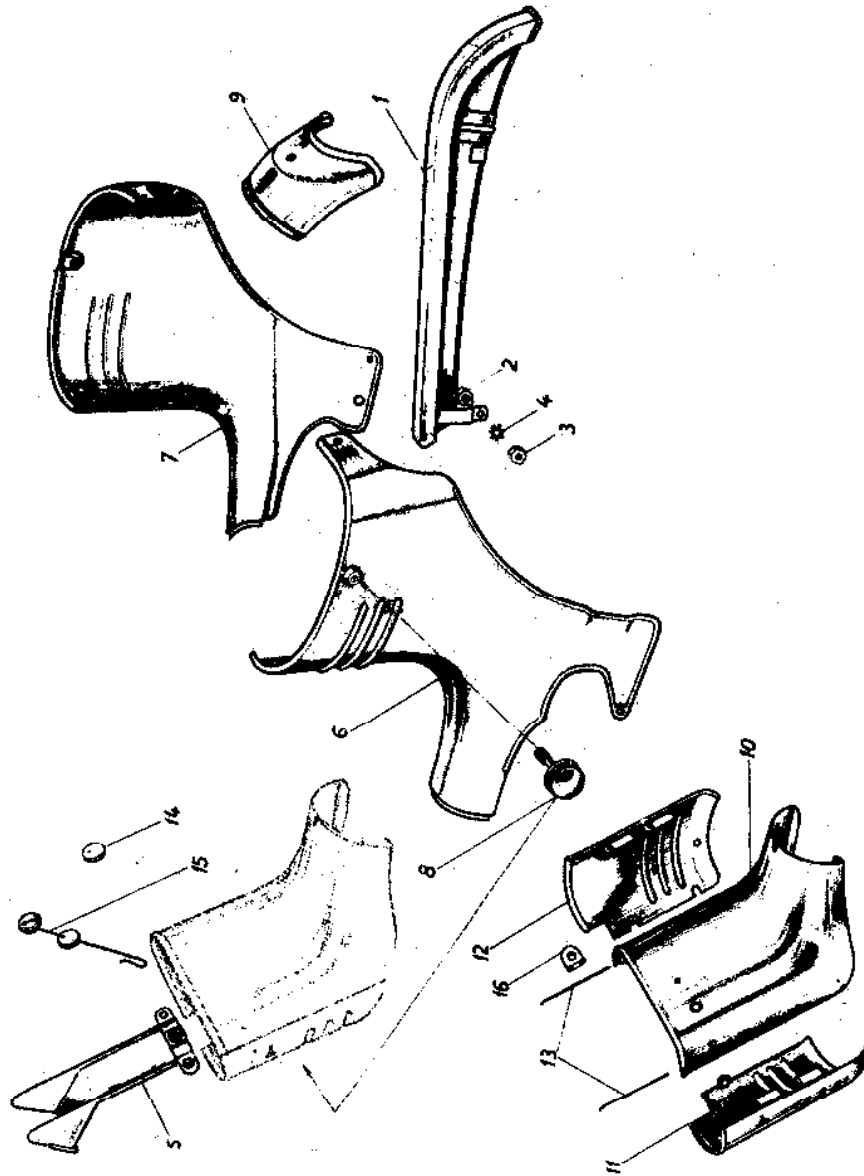


This page is blank
in my copy of this book.
You'll just have to figure
it out for yourself !

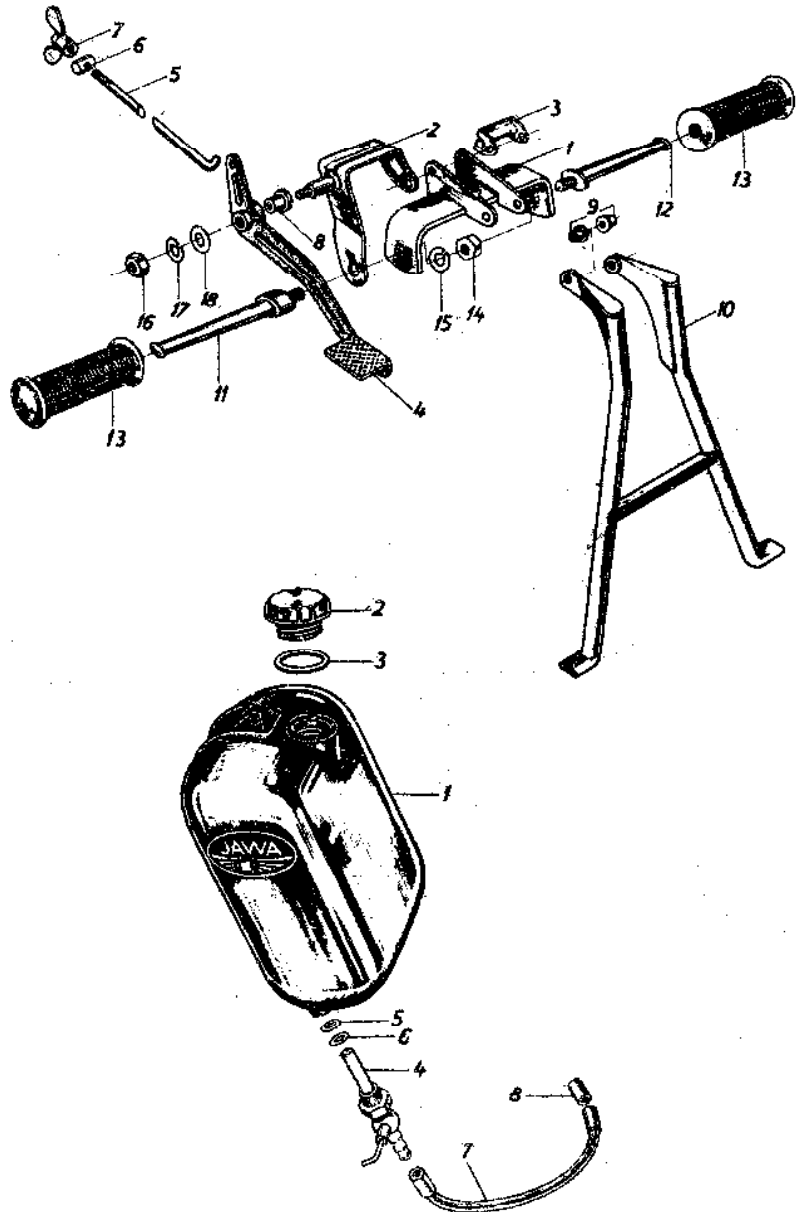


TOOL BOXES, COVERS AND COWLS

Ref. No.	Part No.	Spare part	Number per set	Note
1	550-36-010	Chain cover	1	
2	6 11103 2101	Bolt M 6 x 10	1	
3	6 11401 2006	Nut M 6	1	
4	6 11740 2061	Washer 6,1	1	
5	359-36-020	Cover	1	
6	550-36-030	L.H. rear cowl	1	
7	550-36-050	R.H. rear cowl	1	
8	359-36-040	Screw	1	
9	359-36-053	Spring cover	1	
10	359-36-110	Front cowl rear part	1	
11	359-36-120	L.H. front cowl	1	
12	359-36-130	R.H. front cowl	1	
13	359-36-145	Pin	2	
14	359-36-143	Grommet	1	
15	359-36-140	Cable with grommet	1	
16	359-36-133	Grommet	1	
17	6 11133 2069	Screw M 5 x 10	1	
18	6 11157 2069	Screw M 5 x 10	4	



FOOTRESTS , STAND AND BRAKE PEDAL



Ref. No.	Part No.	Spare part	Number per set	Note
1	550-37-010	Holder	1	
2	550-00-020	R.H. spacer	1	
3	359-00-032	L.H. spacer	1	
4	550-37-020	Brake pedal	1	
5	550-37-041	Brake rod	1	
6	550-37-045	Sleeve	1	
7	353-46-024	Wing nut	1	
8	550-37-042	Distance piece	1	
9	550-37-043	Spacer	2	
10	550-37-030	Stand	1	
11	550-37-044	R.H. footrest pin	1	
12	353-37-068	L.H. footrest pin	1	
13	353-37-071	Footrest rubber	2	
14	6 11401 2110	Nut M 10 x 1	2	
15	6 11740 2102	Washer 10,2	2	
16	6 11401 2008	Nut M 8	1	
17	6 11740 2082	Washer 8,2	1	
18	6 11701 2084	Washer 8,4	1	
19	6 11110 12200	Bolt M 6 x 70	1	
20	6 11401 2006	Nut M 6	1	
21	6 11740 2061	Washer 6,1	1	
22	6 11701 3064	Washer 6,4	1	

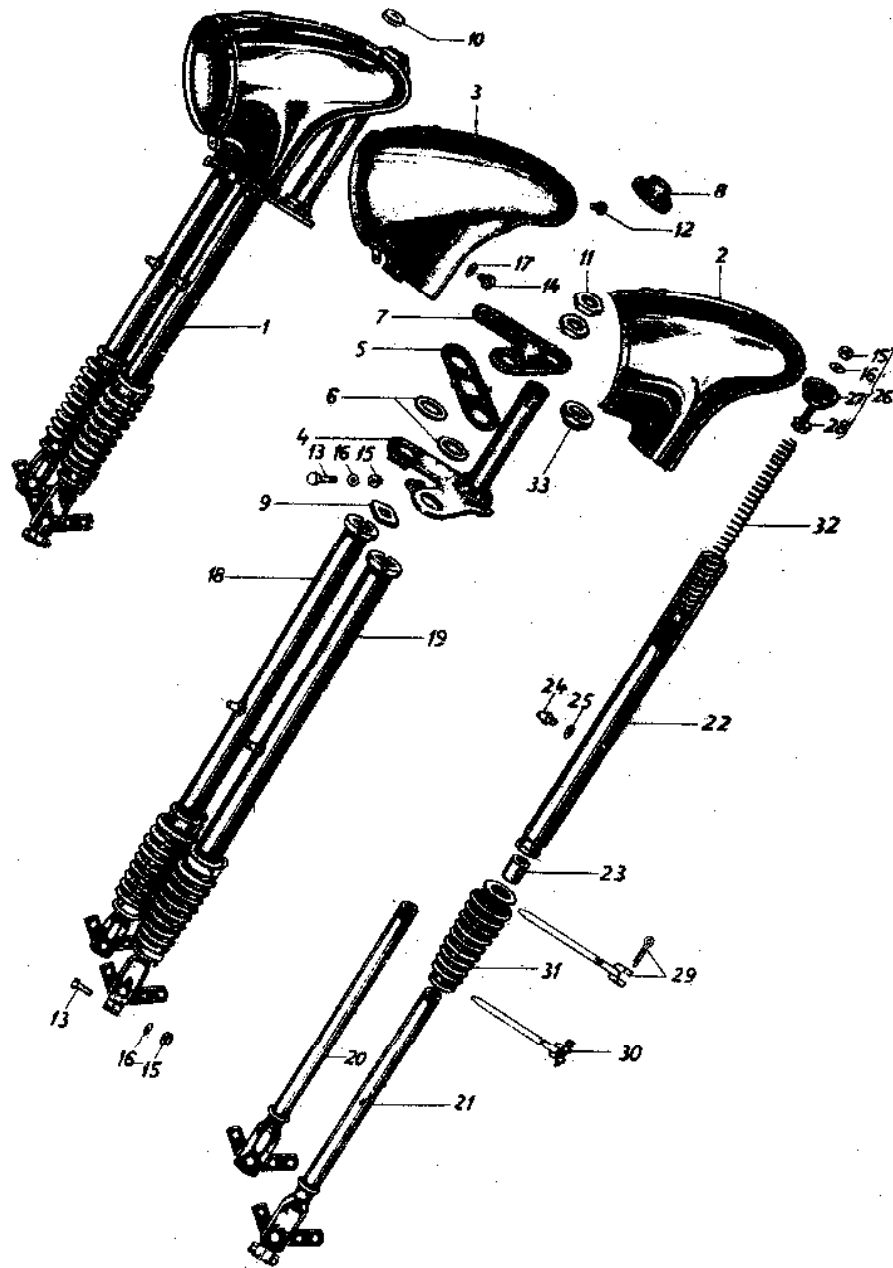
FUEL TANK

1	359-39-100	Fuel tank	1	
2	359-39-012	Filler cap with insert	1	
3	359-39-031	Seal	1	
4	359-39-200	Fuel tap	1	
5	151-39-059	Spacer 1,5	1	See Note 1/
6	151-11-008	Spacer 1,0	1	
7	359-39-020	Fuel pipe	1	
8	353-39-012	Pipe	2	

Note 1

1/ Fitted if necessary.

FRONT FORK



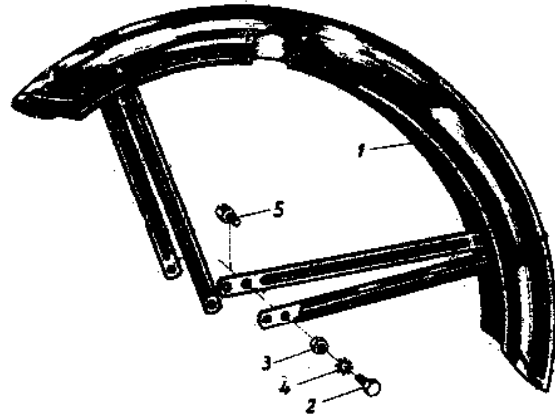
Ref. No.	Part No.	Spare part	Number per set	Note
1	550-41-000	Front fork complete	1	
2	359-41-010	L. H. nacelle	1	
3	359-41-031	R. H. nacelle	1	
4	550-41-025	Steering lug and stem with cup	1	
5	359-41-035	Sheet cover	1	
6	359-41-036	Washer	2	
7	359-41-032	Head lug	1	
8	359-41-037	Grommet	1	
9	359-41-038	Grommet	1	
10	359-41-039	Grommet	2	
11	151-41-007	Nut	2	
12	6 11148 2038	Screw M 4 x 6	1	
13	6 11101 2108	Bolt M 6 x 28	3	
14	6 11103 2100	Screw M 6 x 7	2	
15	6 11401 2006	Nut M 6	5	
16	6 11740 2061	Washer 6,1	5	
17	6 11721 2070	Washer 7	2	
18	359-41-100	R.H. fork leg	1	
19	359-41-200	L.H. fork leg	1	
20	359-41-120	R.H. plunger	1	
21	359-41-210	L.H. plunger	1	
22	59-41-110	Tube with bushes	2	
23	359-41-114	Bush	4	See Note 1/
24	6 17421 3006	Lubricator	2	
25	359-41-115	Washer	2	
26	359-41-130	Plug complete	2	
27	359-41-131	Plug	2	
28	359-41-132	Spring rest	2	
29	359-41-140	Top strap	2	
30	359-41-150	Bottom strap	2	
31	359-41-161	Sleeve	2	
32	550-41-162	Spring	2	
33	359-41-034	Cup	1	

Note :

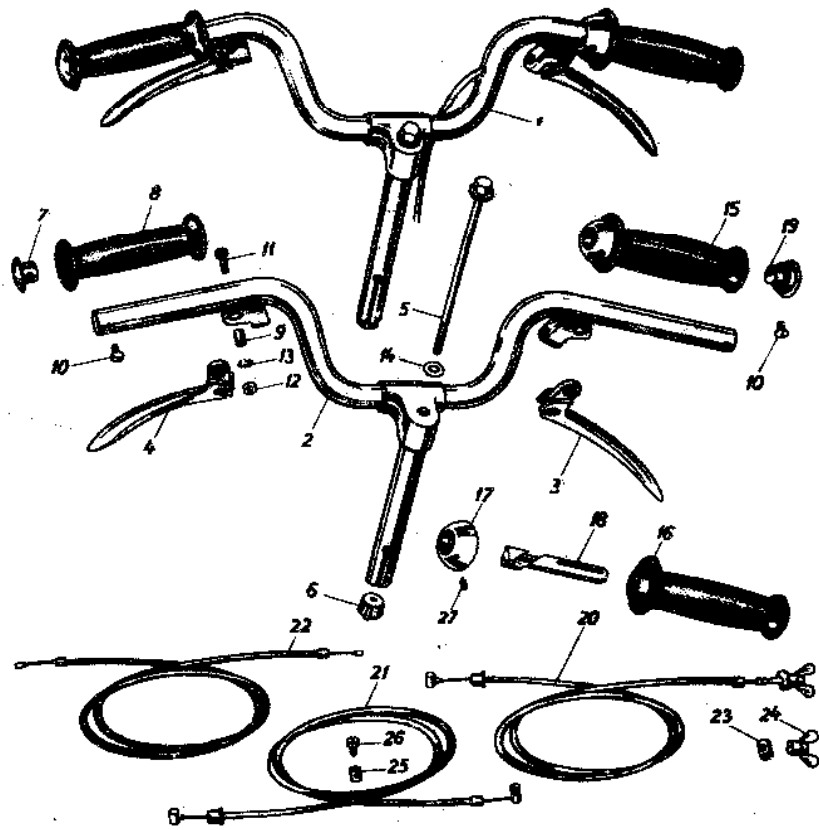
1/ After being pressed into position to be reamed to dia

21, 8 H9 + 0,052
- 0,000

FRONT MUDGUARD



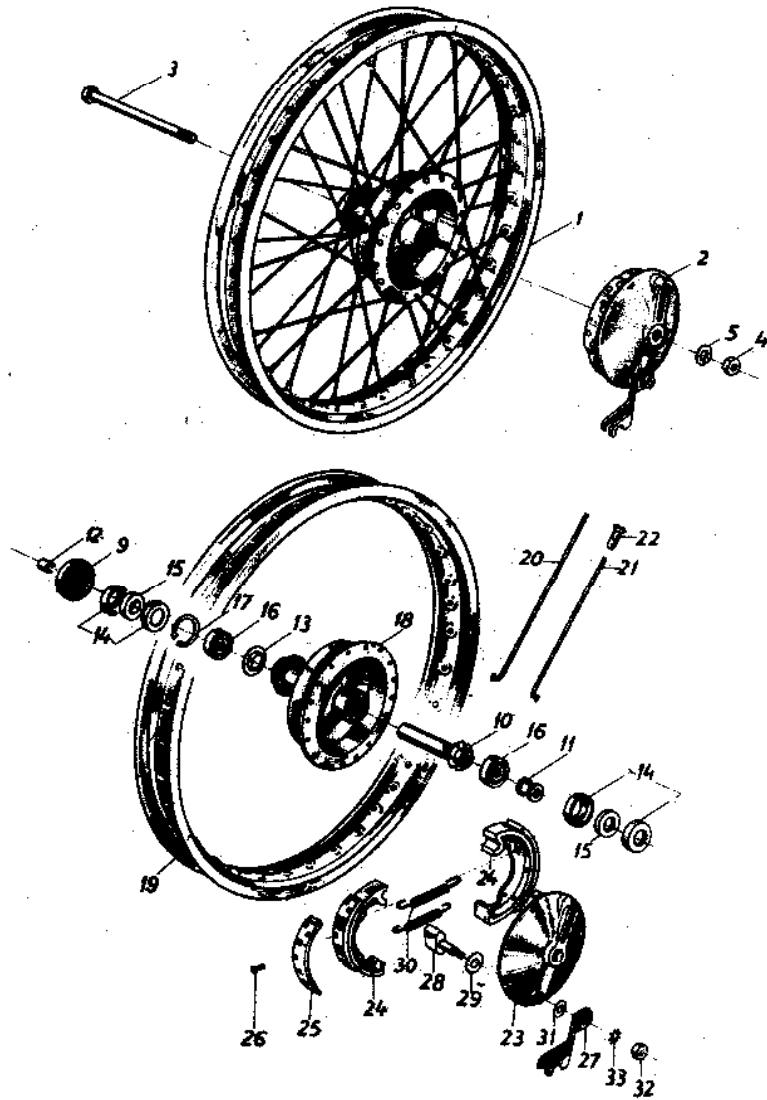
Ref. No.	Part No.	Spare part	Number per set	Note
1	359-43-000	Front mudguard	1	
2	6 11103 2102	Bolt M 6 x 12	5	
3	6 11401 2006	Nut M 6	5	
4	6 11740 2061	Washer 6,1	5	
5	359-40-011	Catch	1	



HANDLEBARS WITH CONTROL CABLES

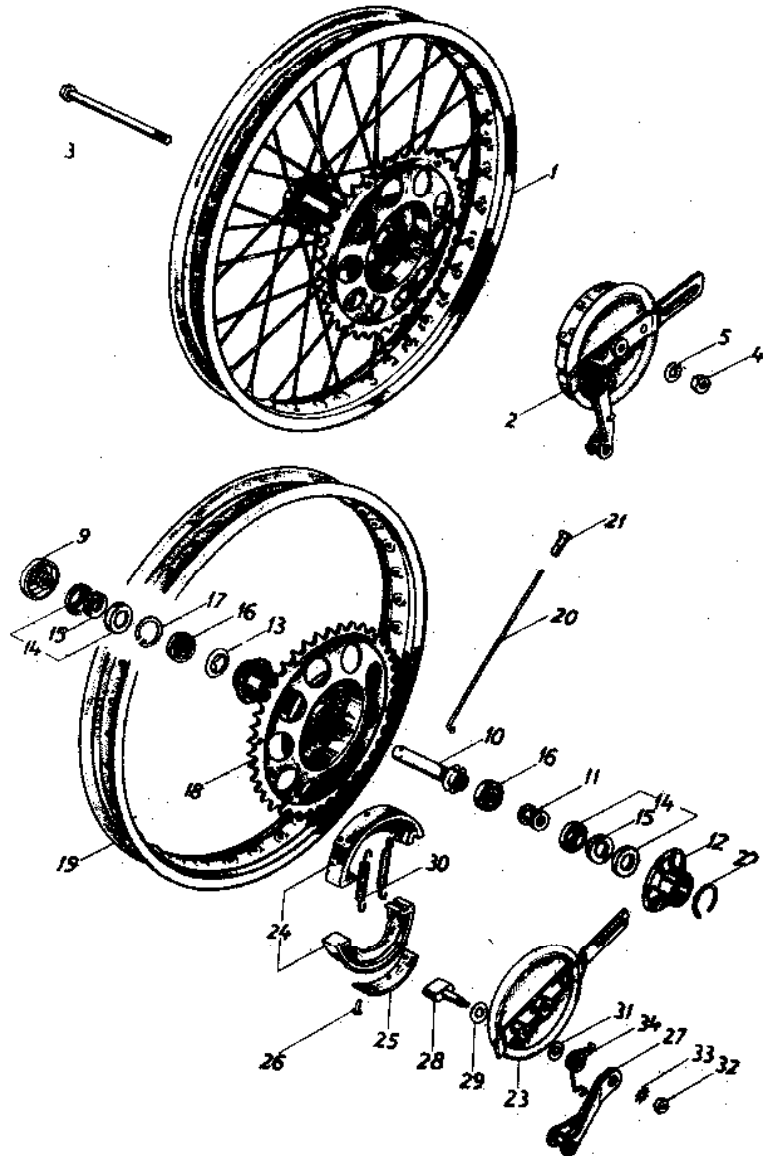
1	550-46-005	Handlebars with throttle cable	1	Including items 2, 19 and 22
2	550-46-010	Handlebars with brackets	1	
3	353-46-060	R.H. lever	1	
4	353-46-070	L.H. lever	1	
5	550-46-021	Handlebar stud	1	
6	550-46-022	Steering taper	1	
7	359-46-035	Plug	1	
8	353-46-082	Fixed grip	1	
9	353-46-081	Dash	2	
10	6 11157 2069	Screw M 5 x 10	2	
11	6 13134 3072	Bolt M 5 x 18	2	
12	6 11401 3005	Nut M 5	2	
13	6 11740 3051	Washer 5,1	2	
14	6 11701 3084	Washer 8,4	1	
15	353-46-100	Twist grip	1	
16	353-46-101	Twist grip rubber with sleeve	1	
17	353-46-105	Retention cap with spring	1	
18	353-46-112	Catch link	1	
19	359-46-101	Plug	1	
20	359-46-050	Front brake cable	1	
21	359-46-070	Clutch cable	1	
22	359-46-080	Throttle cable	1	
23	155-49-006	Sleeve	1	
24	353-46-024	Wing nut	1	
25	353-46-031	Sleeve	1	
26	150-49-030	Screw	1	
27	353-46-109	Screw	1	
28	6 11181 2098	Screw M 6 x 5	1	

FRONT WHEEL



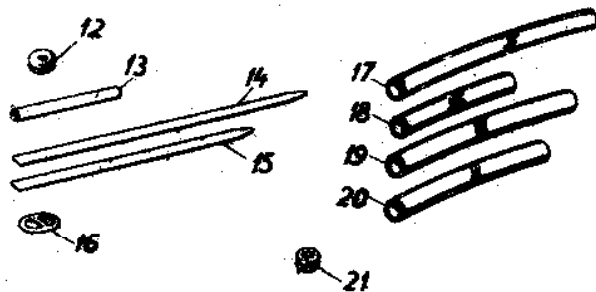
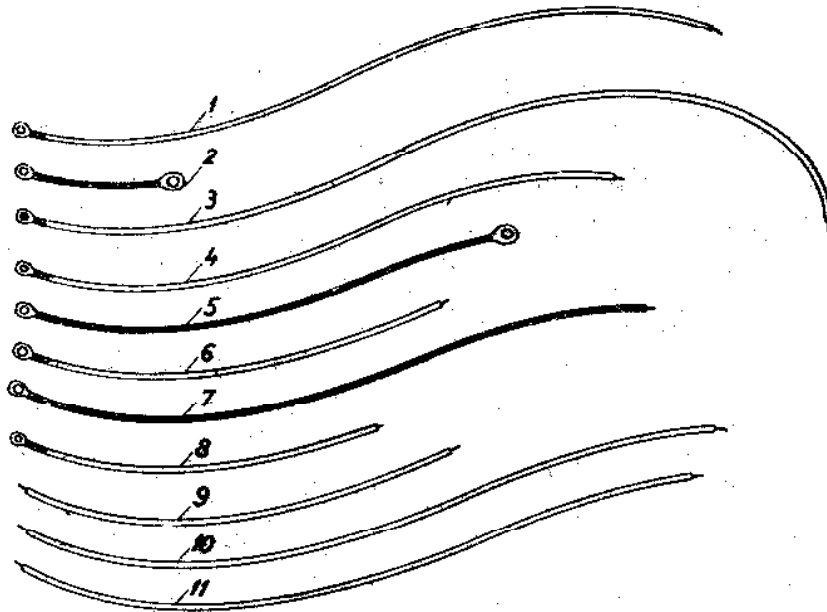
Ref. No.	Part No.	Spare part	Number per set	Note
1	359-51-100	Hub with rim	1	
2	359-51-200	Back plate with brake shoes	1	
3	359-51-030	Spindle	1	
4	6 11401 2010	Nut M 10	1	
5	6 11740 2102	Washer 10,2	1	
6	359-51-131	Tyre cover 2,5 x 16 in.	1	
7	359-51-132	Inner tube 2,5 x 16 in.	1	
8	359-51-133	Tube protector 16 in.	1	
9	359-51-010	Cover	1	
10	359-51-020	Distance piece	1	
11	359-51-011	Spacer collar	1	
12	359-51-041	Bush	1	
13	359-51-042	Ring	1	
14	359-51-043	Sleeve	4	
15	359-51-046	Felt seal	2	
16	6 14633 6000	Ball bearing	2	
17	6 12931 0006	Circlip dia 26 x 1,2	1	
18	359-51-101	Hub complete	1	
19	359-51-111	Rim	1	
20	359-51-121	Spoke BSC 2,2987 x 185	18	
21	359-51-122	Spoke BSC 2,2987 x 156	18	
22	359-51-125	Spoke nipple 2,2987	36	
23	359-51-201	Back plate	1	
24	359-51-210	Brake shoe complete	2	
25	359-51-212	Lining	2	
26	6 12330 5288	Rivet dia 3 x 8	12	
27	359-51-220	Lever complete	1	
28	359-51-231	Cam	1	
29	359-51-232	Shim	1	
30	359-51-235	Spring	2	
31	359-51-236	Rubber seal	1	
32	6 11401 2006	Nut M 6	1	
33	6 11740 2061	Washer 6,1	1	

R E A R W H E E L



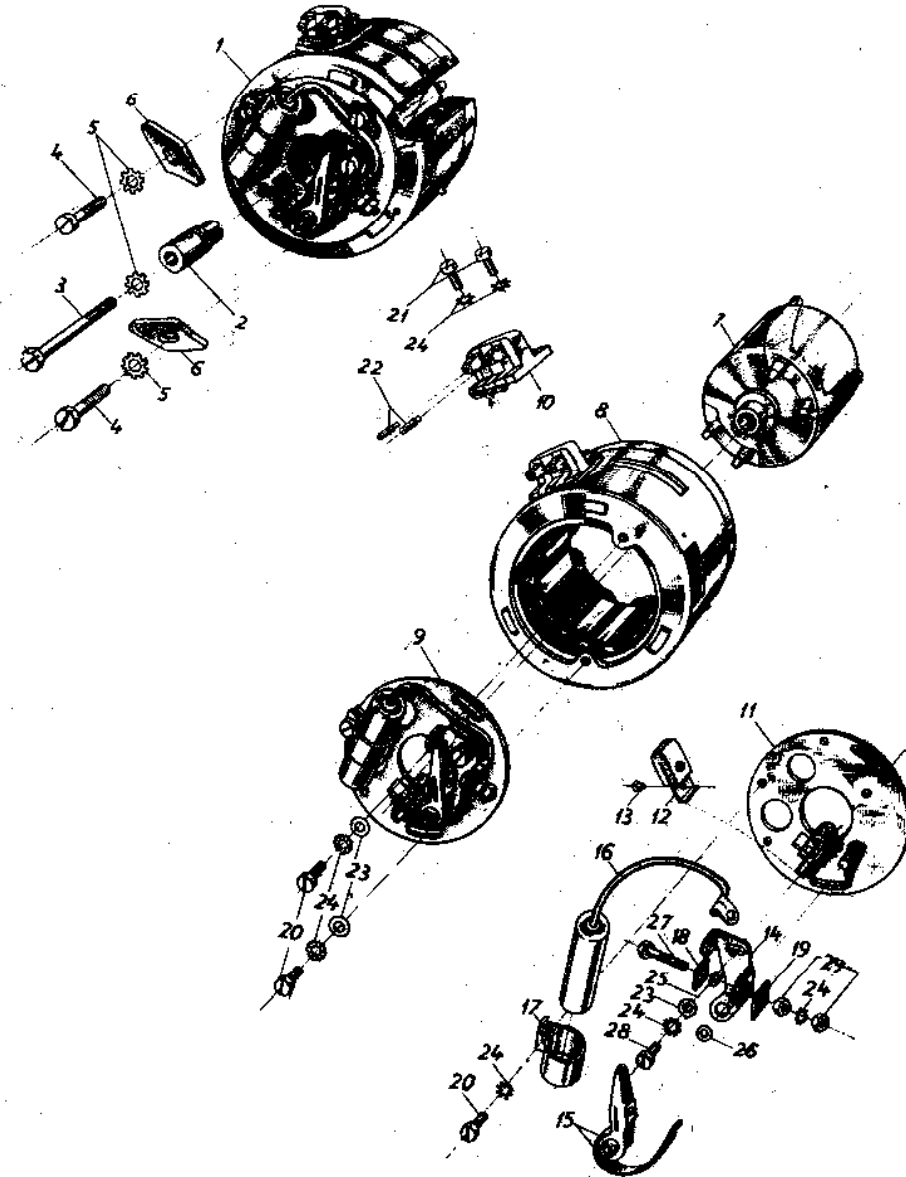
Ref. No.	Part No.	Spare part	Number per set	Note
1	359-56-100	Hub with rim	1	
2	359-56-200	Back plate with brake shoes	1	
3	359-56-030	Spindle	1	
4	6 11401 2010	Nut M 10	1	
5	6 11740 2102	Washer 10,2	1	
6	359-51-131	Tyre cover 2,5 x 16 in.	1	
	359-51-132	Inner tube 2,5 x 16 in.	1	
	359-51-133	Tube protector 16 in.	1	
9	359-51-010	Cover	1	
10	359-56-020	Distance piece	1	
11	359-51-011	Spacer collar	1	
12	359-56-107	Cover	1	
13	359-51-042	Ring	1	
14	359-51-043	Sleeve	4	
15	359-51-046	Felt seal	2	
16	6 14633 6000	Ball bearing	2	
17	6 12931 0026	Circlip dia 26 x 1,2	1	
18	359-56-101	Hub	1	
19	359-56-106	Rim	1	
20	359-56-121	Spoke BSC 2,2987 x 190	36	
21	359-51-125	Spoke nipple 2,2987	36	
22	359-56-108	Circlip	1	
23	359-56-201	Back plate with bracket	1	
24	359-51-210	Brake shoe complete	2	
25	359-51-212	Lining	2	
26	6 12330 5288	Rivet 3 x 8	12	
27	359-56-220	Lever	1	
28	359-51-231	Cam	1	
29	359-51-232	Shim	1	
30	359-51-235	Spring	2	
31	359-51-236	Rubber seal	1	
32	6 11401 2006	Nut M 6	1	
33	6 11740 2061	Washer 6,1	1	
34	359-56-233	Spring	1	
35	359-56-105	Rear chainwheel	1	
36	6 12301 0369	Rivet 4 x 10	6	

LEADS



Ref. No.	Part No.	Spare part	Number per set	Note
1	359-60-020	Tail lamp lead - yellow	1	
2	359-60-030	Battery to frame lead - black*	1	
3	359-60-110	Tail lamp lead - 2 yellow	1	
4	359-60-115	Horn lead - 1 green	1	
5	359-60-120	Contact breaker lead - black	1	
6	359-60-125	Ignition coil lead - green	1	
7	359-60-130	Cut of contact lead - black	1	
8	359-60-135	Dip switch lead - 1 blue	2	
9	359-60-141	Dip switch lead - 2 - red	1	
10	359-60-142	Headlamp lead - white	1	
11	359-60-143	Horn lead - 2 - green	1	
12	359-60-035	Grommet /rubber/	1	
13	156-65-047	Sleeve /rubber/	1	
14	62820601190	Strap 190	3	
15	62820601150	Strap 150	1	
16	62821000000	Buckle	4	
17	359-60-145	Protecting tube 560	1	
18	359-60-146	Protecting tube 250	1	
19	359-60-147	Protecting tube 480	1	
20	359-60-148	Protecting tube 300	1	
21	150-49-005	Grommet	1	

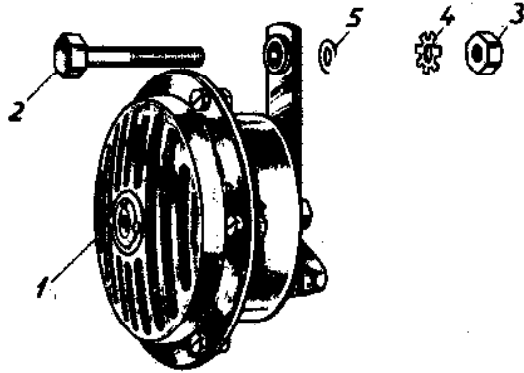
MAGDINO WITH CONTACT BREAKER



Ref. No.	Part No.	Spare part	Number per set	Note
1	359-61-000	Magdyno complete	1	
2	359-61-011	Cam	1	
3	6 11105 2087	Screw M 5 x 55	1	
4	6 11131 2077	Screw M 5 x 30	2	
5	6 11740 2051	Washer 5,1	3	
6	359-61-012	End plate	2	
7	359-61-400	Rotor complete	1	
8	359-61-110	Stator	1	
9	359-61-200	Contact breaker complete	1	
10	359-61-120	Terminal base plate	1	
11	359-61-220	Contact breaker base plate	1	
12	355-61-230	Felt pad assembly	1	
13	6 12301 0205	Rivet	1	
14	355-61-240	Contact holder complete	1	
15	355-61-260	Contact breaker arm	1	
16	359-61-270	Condenser	1	
17	355-61-111	Condenser holder	1	
18	355-61-112	Condenser washer	1	
19	355-61-211	Insulating washer	2	
20	6 11133 2038	Screw N 4 x 6	3	
21	6 11133 2039	Screw M 4 x 8	2	
22	6 11183 2039	Regulating screw	2	
23	6 11702 2043	Washer 4,3	3	
24	6 11740 2041	Washer 4,1	7	
25	355-61-212	Insulating washer	1	
26	355-61-214	Washer	1	
27	6 11133 2042	Screw M 4 x 15	1	
28	6 11133 2037	Screw M 4 x 5	1	
29	6 11401 2004	Nut M 4	2	
30	359-61-100	Stator complete	1	

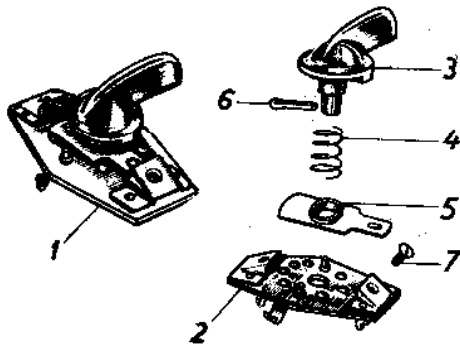
ELECTRIC HORN

Ref. No.	Part No.	Spare part	Number per set	Note
1	359-62-000	Electric horn	1	
2	6 11101 2185	Bolt M 8 x 50	1	
3	6 11401 2008	Nut M 8	1	
4	6 11740 2082	Washer 8,2	1	
5	6 11701 2084	Washer 8,4	1	

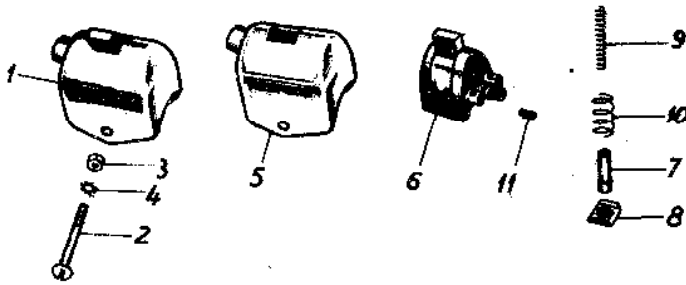


SWITCH BOX

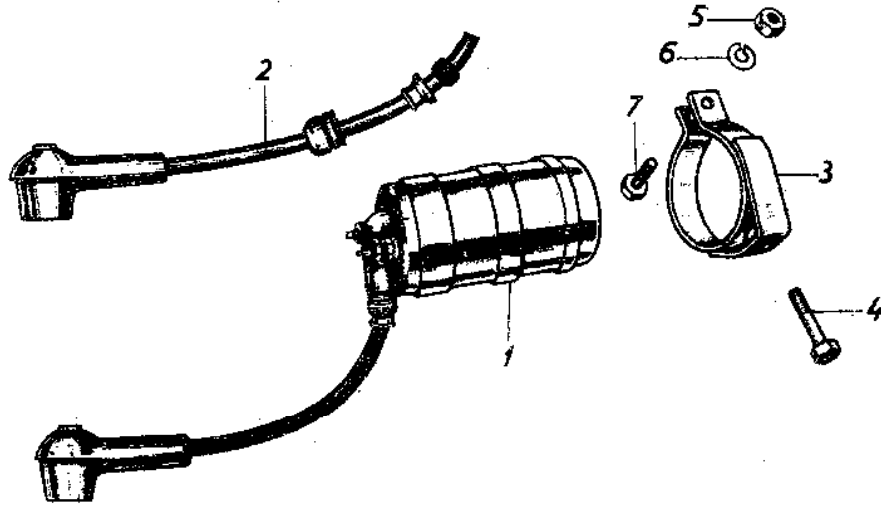
1	359-63-000	Switch box	1
2	359-63-010	Index plate	1
3	359-63-011	Switch lever	1
4	359-63-012	Spring	1
5	359-63-013	Contact bridge	1
6	6 11781 2131	Split pin 1,6 x 15	1
7	6 11157 2039	Screw M 4 x 8	2



DIP SWITCH AND STOP SWITCH



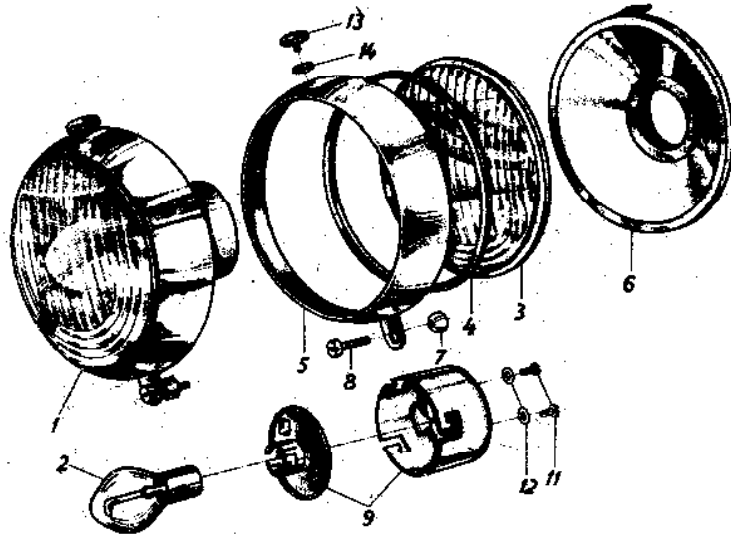
Ref. No.	Part No.	Spare part	Number per set	Note
1	353-65-101	Dip switch and stop switch	1	
2	6 11146 3901	Bolt M 3,5 x 28	1	
3	6 11401 2035	Nut M 3,5	1	
4	6 11740 2036	Washer 3,6	1	
5	353-65-120	Housing complete with horn button	1	
6	353-65-140	Dip switch body	1	
7	353-65-131	Contact peg	1	
8	353-65-132	Contact plate	1	
9	353-65-133	Spring	1	
10	353-65-134	Inner spring	1	
11	353-65-135	Grub screw	3	



IGNITION COIL

1	359-66-000	Ignition coil	1	
2	359-66-060	Ignition lead with suppressor	1	
3	359-66-010	Clamp	1	
4	6 11101 2115	Screw M 6 x 45	1	
5	6 11401 2006	Nut M 6	1	
6	6 11740 2061	Washer 6,1	1	
7	6 11103 2102	Bolt M 6 x 12	1	
8	6 11403 2005	Nut M 5	2	
9	6 11740 2051	Washer 5,1	2	
10	359-66-100	Coil	1	
11	355-66-011	Union nut	1	
12	355-66-012	Box	1	
13	355-66-013	Rubber ring	1	

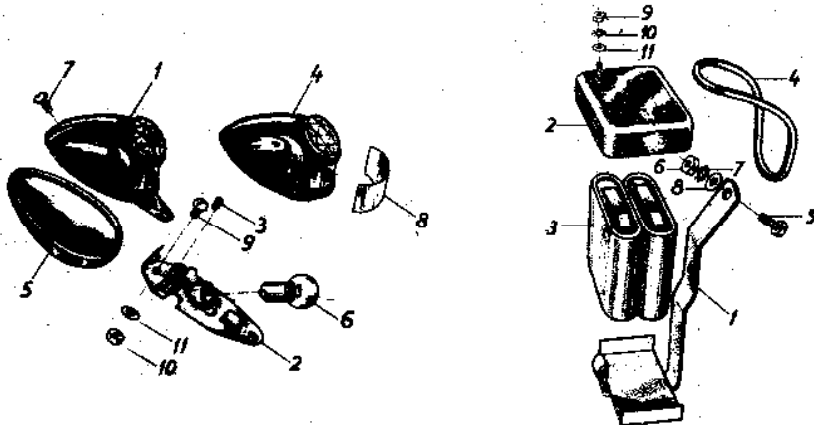
HEADLAMP



Ref. No.	Part No.	Spare part	Number per set	Note
1	359-67-000	Headlamp	1	
2	6 94311 6015	Bulb 6 V/15 W	1	
3	359-67-011	Glass	1	
4	359-67-012	Joint	1	
5	359-67-013	Rim	1	
6	359-67-015	Reflector	1	
7	353-67-014	Spacer	1	
8	353-67-015	Fastening screw M 3 x 6	1	
9	353-67-041	Bulb holder with cover	1	
11	6 11134 2025	Screw M 3 x 6	2	
12	6 11726 2032	Washer 3,2	2	
13	359-67-016	Regulating screw	1	
14	359-67-017	Washer	1	

TAIL LAMP

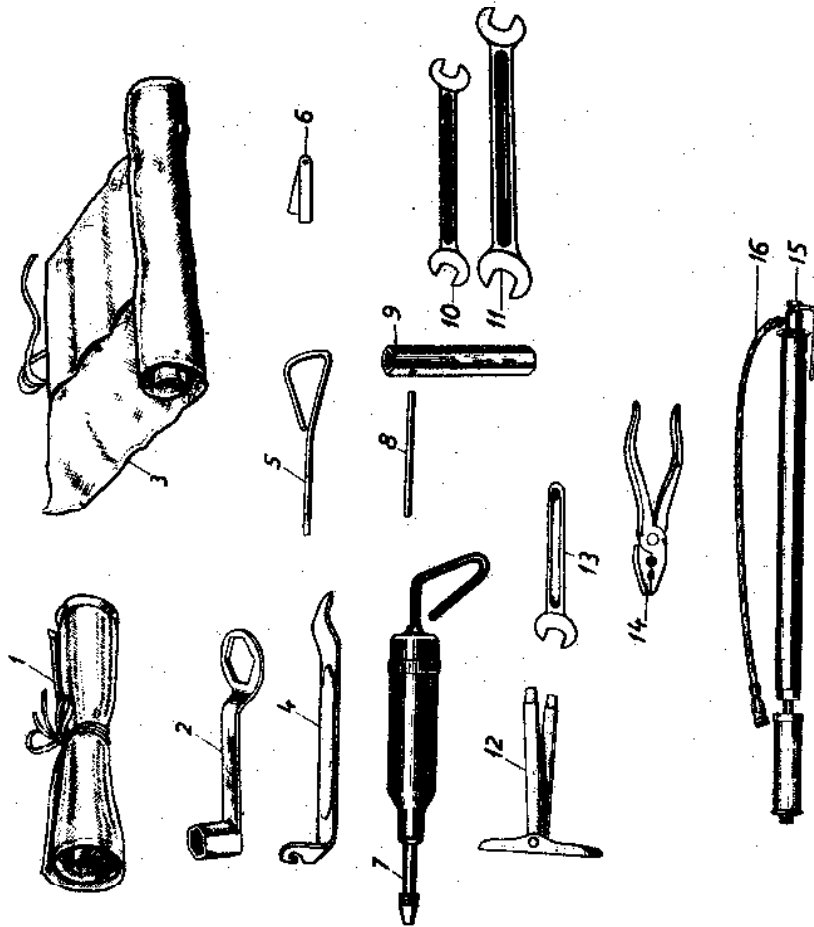
1	10 33 70	Tail lamp complete	1	
2	10 33 77	Base plate complete	1	
3	6 11185 2038	Screw M 4 x 6	1	
4	10 33 92	Housing complete	1	
5	10 33 71	Rubber pad	1	
6	6 94316 6005	Bulb 6 V/5 W	1	
7	6 11157 2039	Screw M 4 x 8	1	
8	10 33 94	Glass	1	
9	6 11148 2069	Bolt M 5 x 10	1	
10	6 11401 2005	Nut M 5	1	
11	6 11740 2051	Washer 5,1	1	



DRY CELL BATTERY WITH HOLDER

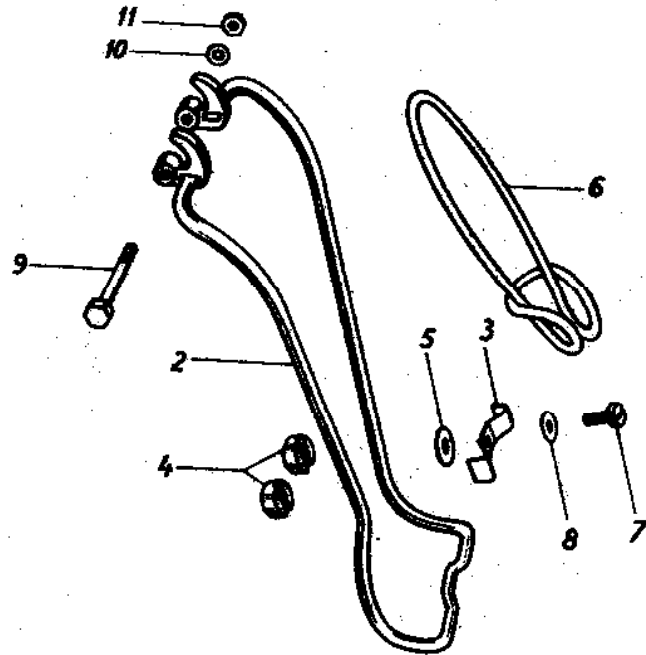
1	359-69-010	Holder	1	
2	359-69-020	Lid complete	1	
3	359-69-024	Dry cell	2	
4	359-69-015	Fastening strap	1	
5	6 11103 2101	Bolt M 6 x 10	1	
6	6 11401 2006	Nut M 6	1	
7	6 11740 2061	Washer 6,1	1	
8	6 11720 2064	Washer 6,4	1	
9	6 11401 2035	Nut M 3,5	3	
10	6 11740 2036	Washer 3,6	3	
11	6 11702 4037	Washer 3,7	3	

TOOLS AND TYRE INFLATOR



Ref. No.	Part No.	Spare part	Number per set	Note
1	359-71-001	Set of tools in tool kit	1	Includes 2 to 12
2	353-71-020	Sparking plug spanner	1	
3	353-71-015	Canvas kit	1	
4	151-67-014	Tyre lever	1	
5	353-71-011	Screwdriver 3 mm	1	
6	550-71-010	Feeler gauge	1	
7	150-67-009	Grease gun	1	
8	6 30650 0005	Handle	1	
9	6 30651 0010	Box spanner 10	1	
10	6 306010 3002	Double ended spanner 9/10	1	
11	6 306010 3004	Double ended spanner 14/17	1	
12	151-67-040	Double screwdriver	1	
13	6 90605 3011	Spanner 11	1	
14	150-67-005	Pliers 130	1	
15	353-71-100	Tyre inflator	1	
16	353-71-102	Inflator connection	1	

LUGGAGE CARRIER



Ref. No.	Part No.	Spare part	Number per set	Note
1	550-76-000	Luggage carrier complete	1	Including items 2 to 11
2	550-76-010	Carrier support	1	
3	550-76-016	Clamp	1	
4	550-76-017	Rest	2	
5	550-76-018	Washer	1	
6	550-76-019	Fastening rubber	1	
7	6 13134 3070	Screw M 5 x 12	1	
8	6 11740 3051	Washer 5,1	1	
9	6 11101 2125	Bolt M 6 x 70	1	
10	6 11740 3051	Washer 5,1	1	
11	6 11401 2006	Nut M 6	1	

Note :

1/ Item 1 is supplied as an extra and its price is not included in the price of the motorcycle.

PISTON AND CYLINDER BARREL
GRADES

	A	B	C
Piston	37,96 + 0,00 - 0,01	37,97 + 0,00 - 0,01	37,98 + 0,00 - 0,01
1st rebore	38,19 + 0,00 - 0,01	38,20 + 0,00 - 0,01	38,21 + 0,00 - 0,01
2nd rebore	39,44 + 0,00 - 0,01	38,45 + 0,00 - 0,01	38,46 + 0,00 - 0,01
3rd rebore	38,69 + 0,00 - 0,01	38,70 + 0,00 - 0,01	38,71 + 0,00 - 0,01
4th rebore	38,94 + 0,00 - 0,01	38,95 + 0,00 - 0,01	38,96 + 0,00 - 0,01

Note :

The grade is measured 32 mm from the piston base.

	A	B	C
Cylinder barrel	38,00 + 0,006	38,006 + 0,005	38,011 + 0,005
1st rebore	38,25 + 0,006	38,256 + 0,005	38,261 + 0,005
2nd rebore	38,5 + 0,006	38,506 + 0,005	38,511 + 0,005
3rd rebore	38,75 + 0,006	38,756 + 0,005	38,761 + 0,005
4th rebore	39,00 + 0,006	39,006 + 0,005	39,011 + 0,005

Item JAWA	Page	Item JAWA	Page
00-35-91	11	353-11-114	7
10-33-70	43	353-37-068	25
10-33-71	43	353-37-071	25
10-33-77	43	353-39-012	25
10-33-92	43	353-46-024	25, 29
10-33-94	43	353-46-031	29
150-11-008	7	353-46-060	29
150-11-061	7	353-46-062	29
150-22-050	13	353-46-070	29
150-22-051	13	353-46-082	29
150-22-052	13	353-46-101	29
150-22-053	13	353-46-105	29
150-28-087	15	353-46-109	29
150-49-005	35	353-46-112	29
150-49-030	29	353-65-101	41
150-67-005	45	353-65-120	41
150-67-009	45	353-65-131	41
151-11-008	25	353-65-132	41
151-22-051	13	353-65-133	41
151-39-059	25	353-65-134	41
151-41-007	27	353-65-135	41
151-67-014	45	353-65-140	41
151-67-040	45	353-67-014	43
155-49-006	29	353-67-015	43
156-65-047	35	353-67-041	43
351-11-201	7	353-71-011	45

Item JAWA	Page	Item JAWA	Page
353-71-014	45	359-11-121	7
353-71-015	45	359-11-122	7
353-71-020	45	359-11-131	7
353-71-100	45	359-11-132	7
353-71-102	45	359-12-005	9
355-22-048	13	359-12-006	9
355-22-049	13	359-12-007	9
355-22-057	13	359-12-008	9
355-24-012	15	359-12-009	9
355-61-111	37	359-12-014	9
355-61-112	37	359-12-015	9
355-61-211	37	359-12-016	9
355-61-212	37	359-12-017	9
355-61-214	37	359-12-018	9
355-61-230	37	359-12-023	9
355-61-240	37	359-12-024	9
355-61-260	37	359-12-033	9
359-00-032	25	359-12-034	9
359-00-041	13	359-12-100	9
359-00-042	13	359-12-113	9
359-01-010	17	359-12-114	9
359-01-020	17	359-12-118	9
359-01-025	17	359-12-119	9
359-01-035	17	359-12-123	9
359-10-020	9	359-12-126	9
359-11-010	7	359-12-127	9
359-11-012	7	359-12-128	9
359-11-031	7		
359-11-033	7		
359-11-034	7		

Item JAWA	Page	Item JAWA	Page
359-12-129	9	359-16-032	11
359-13_020	9	359-16-033	11
359-13-031	9	359-16-034	11
359-13-032	9	359-16-037	11
359-13-033	9	359-16-038	11
359-13-040	9	359-16-039	11
359-16-000	11	359-22-020	13
359-16-010	11	359-22-023	13
359-16-011	11	359-22-032	13
359-16-012	11	359-22-033	13
359-16-013	11	359-22-035	13
359-16-014	11	359-22-036	13
359-16-015	11	359-22-037	13
359-16-016	11	359-22-041	13
359-16-017	11	359-24-010	15
359-16-018	11	359-24-020	15
359-16-019	11	359-24-030	15
359-16-020	11	359-24-134	15
359-16-021	11	359-28-010	15
359-16-022	11	359-28-011	15
359-16-023	11	359-28-013	15
359-16-024	11	359-28-020	15
359-16-025	11	359-28-030	15
359-16-026	11	359-28-041	15
359-16-027	11	359-28-042	15
359-16-028	11	359-28-043	15
359-16-029	11	359-28-046	15
359-16-030	11	359-28-100	15
359-16-031	11	359-28-121	15

Item JAWA	Page	Item JAWA	Page
359-28-122	15	359-36-145	23
359-28-123	15	359-39-012	25
359-30-011	19	359-39-020	25
359-30-012	19	359-39-031	25
359-31-011	19	359-39-200	25
359-31-012	19	359-40-011	29
359-31-013	19	359-41-010	27
359-31-014	19	359-41-031	27
359-31-015	19	359-41-032	27
359-31-016	19	359-41-034	27
359-31-017	19	359-41-035	27
359-31-018	19	359-41-036	27
359-31-240	19	359-41-037	27
359-31-251	19	359-41-038	27
359-33-010	21	359-41-039	27
359-33-021	21	359-41-100	27
359-33-022	21	359-41-110	27
359-33-023	21	359-41-114	27
359-34-000	21	359-41-115	27
359-36-010	23	359-41-120	27
359-36-020	23	359-41-130	27
359-36-040	23	359-41-131	27
359-36-053	23	359-41-132	27
359-36-110	23	359-41-140	27
359-36-120	23	359-41-150	27
359-36-130	23	359-41-161	27
359-36-133	23	359-41-200	27
359-36-140	23	359-41-210	27
359-36-143	23	359-43-000	29

Item JAWA	Page	Item JAWA	Page
359-46-035	29	359-41-231	31,33
359-46-050	29	359-51-232	31,33
359-46-070	29	359-51-235	31,33
359-46-080	29	359-51-236	31,33
359-46-100	29	359-56-020	33
359-46-101	29	359-56-030	33
359-51-010	31,33	359-56-100	33
359-51-011	31,33	359-56-101	33
359-51-020	31	359-56-103	33
359-51-030	31	359-56-106	33
359-51-041	31	359-56-107	33
359-51-042	31,33	359-56-121	33
359-51-043	31,33	359-56-200	33
359-51-046	31,33	359-56-201	33
359-51-100	31	359-56-220	33
359-51-101	31	359-56-233	33
359-51-111	31	359-60-020	35
359-51-121	31	359-60-030	35
359-51-122	31	359-60-035	35
359-51-125	31,33	359-60-110	35
359-51-131	31,33	359-60-115	35
359-51-132	31,33	359-60-120	35
359-51-133	31,33	359-60-125	35
359-51-200	31	359-60-130	35
359-51-201	31	359-60-135	35
359-51-210	31,33	359-60-141	35
359-51-212	31,33	359-60-142	35
359-61-220	31	359-60-143	35
		359-60-145	35

Item JAWA	Page	Item JAWA	Page
359-60-146	35	359-69-015	43
359-60-147	35	359-69-020	43
359-60-148	35	359-69-024	43
359-61-000	37	359-71-01	45
359-61-011	37	550-00-020	25
359-61-012	37	550-10-012	15
359-61-110	37	550-11-021	7
359-61-120	37	550-11-031	7
359-61-200	37	550-11-141	7
359-61-220	37	550-11-142	7
359-61-270	37	550-11-212	7
359-61-400	37	550-11-251	7
359-62-000	39	550-11-252	7
359-63-000	39	550-11-300	7
359-63-010	39	550-22-010	13
359-63-011	39	550-22-030	13
359-63-012	39	550-22-031	13
359-63-013	39	550-22-038	13
359-66-000	41	550-22-040	13
359-66-010	41	550-22-041	13
359-66-030	41	550-22-042	13
359-67-000	43	550-22-043	13
359-67-011	43	550-22-045	13
359-67-012	43	550-22-046	13
359-67-013	43	550-24-010	15
359-67-015	43	550-24-021	15
359-67-016	43	550-24-032	15
359-67-017	43	550-24-100	15
359-69-010	43	550-24-200	15

Item JAWA	Page	Item JAWA	Page
550-31-019	19	6 11101 2107	21
550-31-100	19	6 11101 2108	27
550-31-205	19	6 11101 2109	19
550-36-030	23	6 11101 2115	19,41
550-36-050	23	6 11101 2119	19
550-37-010	25	6 11101 2125	47
550-37-020	25	6 11101 2185	39
550-37-030	25	6 11103 2042	37
550-37-041	25	6 11103 2100	27
550-37-042	25	6 11103 2101	17,19,21 23,43
550-37-043	25		
550-37-044	25	6 11103 2102	29,21,41
550-37-045	25	6 11103 2169	7
550-36-100	25	6 11105 2087	37
550-41-000	27	6 11131 2077	37
550-41-025	27	6 11131 2081	7
550-41-162	27	6 11131 2085	7
550-46-005	29	6 11131 2115	7
550-46-010	29	6 11131 2117	7
550-46-020	29	6 11133 2037	37
550-46-021	29	6 11133 2038	37
550-76-000	47	6 11133 2039	37
550-76-010	47	6 11133 2072	7
550-76-016	47	6 11133 2104	15
550-76-017	47	6 11134 2025	43
550-76-018	47	6 11146 3901	41
550-76-019	47	6 11148 2038	27
		6 11148 2067	19
		6 11148 2069	21,43

Item JAWA	Page	Item JAWA	Page
6 11148 2100	7,19	6 11740 0122	9
6 11148 2101	19	6 11740 2036	41,43
6 11157 2039	39,43	6 11740 2041	37
6 11157 2069	21,29	6 11740 2051	15,19,21
6 11157 2101	19		37,43
6 11157 2102	19	6 11740 2061	9,17,19,21
6 11183 2039	37		23,27,29,
6 11185 2038	43		31,33,41,
6 11401 2004	37		43
6 11401 2005	21,43	6 11740 2082	25,39
6 11401 2006	7,9,15,17	6 11740 2102	25,31,7,33
	19,21,23,27	6 11740 3051	29,47
	29,31,33,41	6 11781 2131	39
	43,47	6 12195 2287	19
6 11401 2008	25,39	6 12301 0205	37
6 11401 2010	31,33	6 12330 5288	31,33
6 11401 2035	41,43	6 12929 0004	15
6 11401 2110	25	6 12929 0007	15
6 11401 3005	29	6 12929 0009	15
6 11401 3006	13	6 12931 0026	31,33
6 11403 2110	15	6 12931 0035	7
6 11403 0112	9	6 12931 0042	7
6 11403 2006	15	6 13133 2075	7
6 11701 2084	25,39	6 13134 3070	47
6 11701 3064	7,13	6 13134	29
6 11701 3084	29	6 13680 0005	15,19
6 11702 2043	37	6 14633 6000	31,33
6 11702 2064	41	6 14633 6004	7
6 11702 4037	43	6 14636 6202	7
6 11721 2070	19,27	6 17421 3006	19,27
6 11726 2032	43		
6 11726 2064	19		

Item Jawa	Page
6 30650 0005	45
6 30651 0010	45
6 306010 3002	45
6 306010 3004	45
6 90605 3011	45
6 94143 0175	9
6 94149 0014	9
6 94311 6015	43
6 94316 6005	43
62821000000	35
62820601150	35
62820601190	35