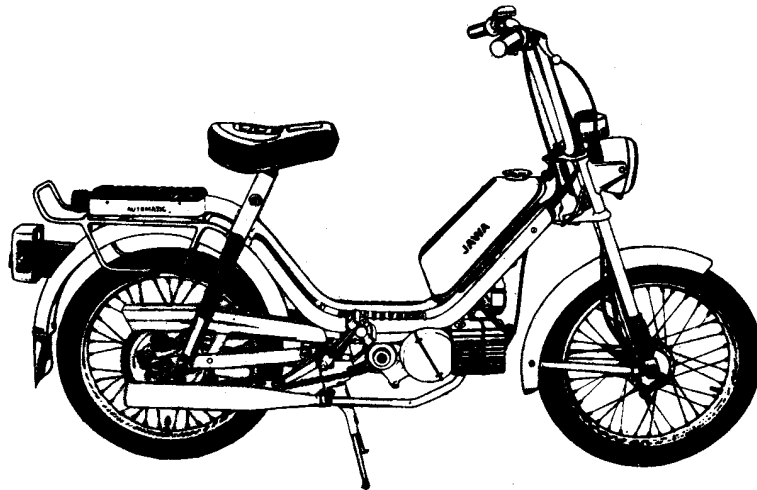


# CATALOGUE OF SPARE PARTS

MOPED  
**JAWA**  
 TYPE 210



POVAŽSKÉ STROJÁRNE  
 ZVL CONCERN BRANCH WORKS  
 POVAŽSKÁ BYSTRICA

## CYLINDERS AND PISTONS CLASSIFICATION TABLE

Cylinders- Class	A	B	C
Standard	39,01 + 0,005	39,015 + 0,010	39,025 + 0,010
1 st rebore	39,26 + 0,005	39,265 + 0,010	39,275 + 0,010
2 nd rebore	39,51 + 0,005	39,515 + 0,010	39,525 + 0,010
3 rd rebore	39,76 + 0,005	39,765 + 0,010	39,775 + 0,010
4 th rebore	40,01 + 0,005	40,015 + 0,010	40,025 + 0,010

Pistons- Class	A	B	C
Standard	38,950 - 0,01	38,960 - 0,01	38,970 - 0,01
1 st rebore	39,200 - 0,01	39,210 - 0,01	39,220 - 0,01
2 nd rebore	39,450 - 0,01	39,460 - 0,01	39,470 - 0,01
3 rd rebore	39,700 - 0,01	39,710 - 0,01	39,720 - 0,01
4 th rebore	39,950 - 0,01	39,960 - 0,01	39,970 - 0,01

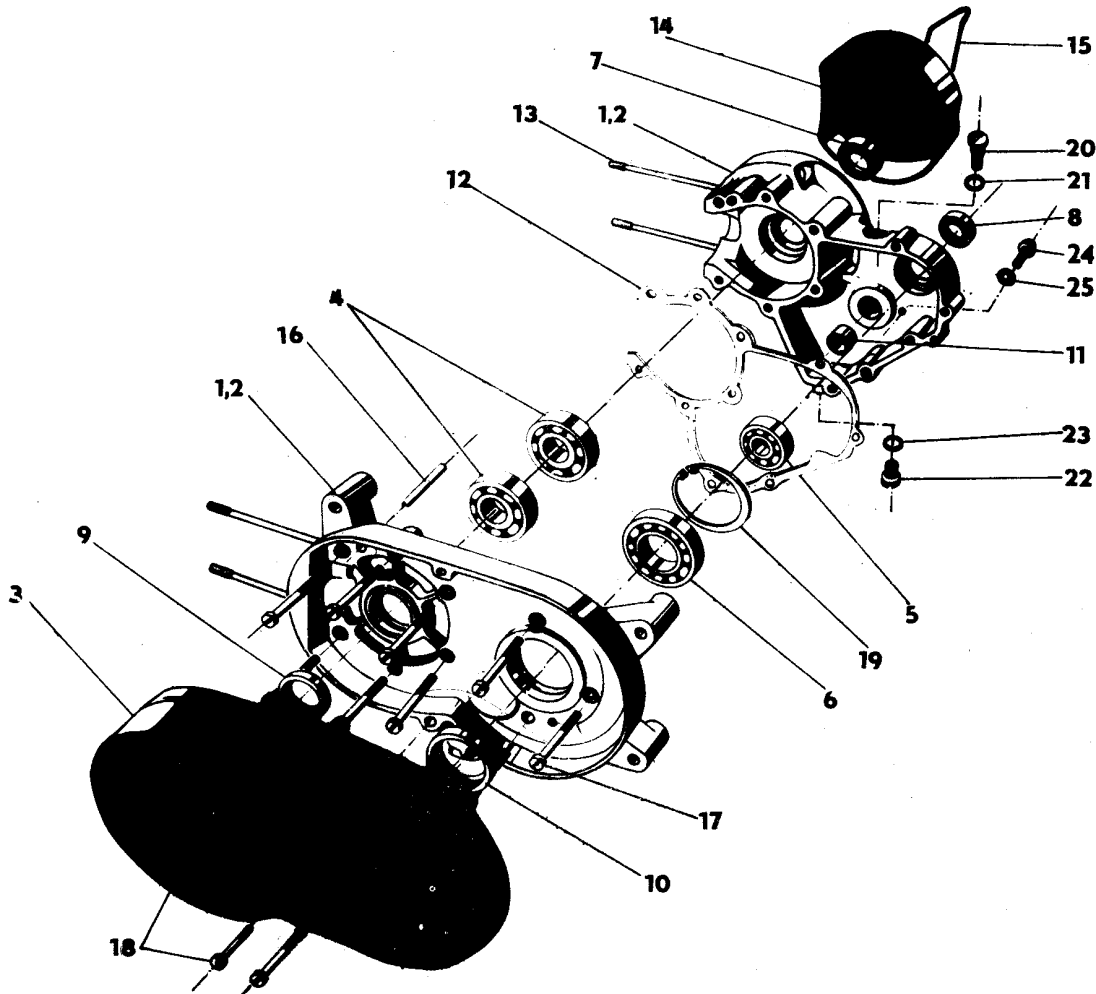
Dimension for the classification of pistons has to be checked 34.5mm above the piston base.

Explanation of the numbering of columns

1 - Position No. 2 - Part No. 3 - Part name / description 4 - Quantity per unit 5 - Mototechna Proprietary No.

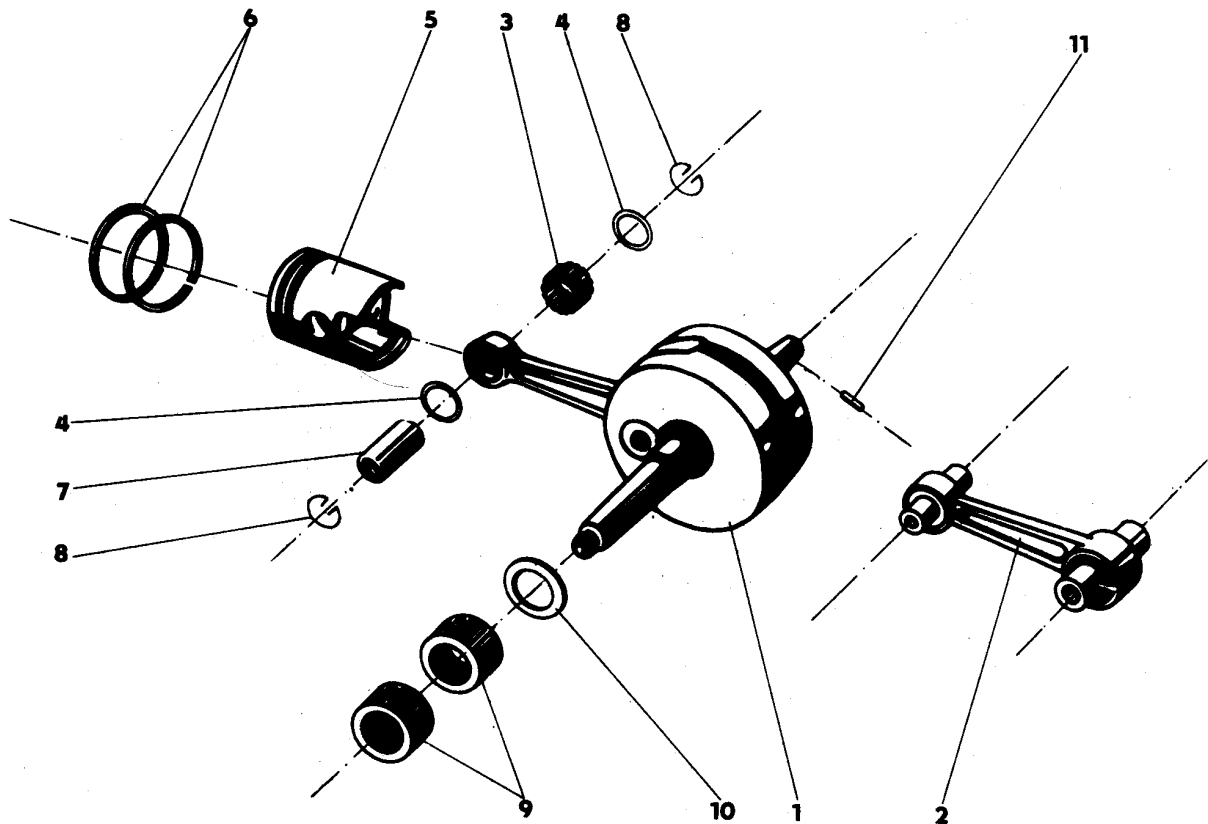
# 1. CRANKCASE

1	2	3	4	5
-	451 9 210 10 000	Engine, complete	1	601-000000
1	451 9 210 11 001	Crankcase, clutch and ignition sides complete	1	601-000020
2	451 9 210 11 004	Crankcase, clutch and ignition sides, with bushes	1	601-000021
3	321 811 703 021	Clutch cover /224 11 025/	1	601-002120
4	324 162 030 003	Bearing No.6203/C3, CSN 02 4630	2	960-620303
5	324 162 020 003	Bearing No.6202/C3, CSN 02 4630	1	960-620203
6	324 165 060 003	Bearing No.6006/03, CSN 02 4630	1	960-600603
7	273 521 003 517	Shaft sealing ring. 17x28x7. CSN 02 9401.0	1	954-017107
8	273 521 002 617	Shaft sealing ring. 15x24x7. CSN 02 9401.0	1	954-015107
9	273 521 005 317	Shaft sealing ring. 22x32x7. CSN 02 9401.0	1	954-022107
10	273 521 009 517	Shaft sealing ring. 35x47x7. CSN 02 9401.0	1	954-035107
11	451 9 224 11 018	Bush	2	601-008010
12	451 9 210 11 005	Gasket	1	601-090910
13	451 9 228 11 004	Stud bolt	1	602-009120
14	321 815 110 020	Ignition cover	1	602-002120
15	315 181 205 664	Spring	1	602-008151
16	311 515 008 040	Dowel pin, 8x40, CSN 02 2150.2	2	984-108040
17	309 231 206 045	Capscrew, M6x45, CSN 02 1131.25	10	974-186045
18	309 231 005 003	Capscrew, M5x30, CSN 02 1131.25	2	974-185030
19	311 733 100 550	Cirolip, 55, CSN 02 2931	1	992-931055
20	451 9 351 11 201	Venting plug	1	937-004672
21	722 923 110 203	Fiber washer Ø 14x20	1	624-004670
22	451 9 550 10 012	Capscrew	1	615-226370
23	273 111 010 024	Packing ring 9x5 CSN 02 9280.1	1	933-009051
24	309 246 206 010	Capscrew M6x10 CSN 02 1146.25	1	975-286010
25	722 923 110 201	Fiber washer, dia 6x10 CSN 02 9310.8	1	933-880610



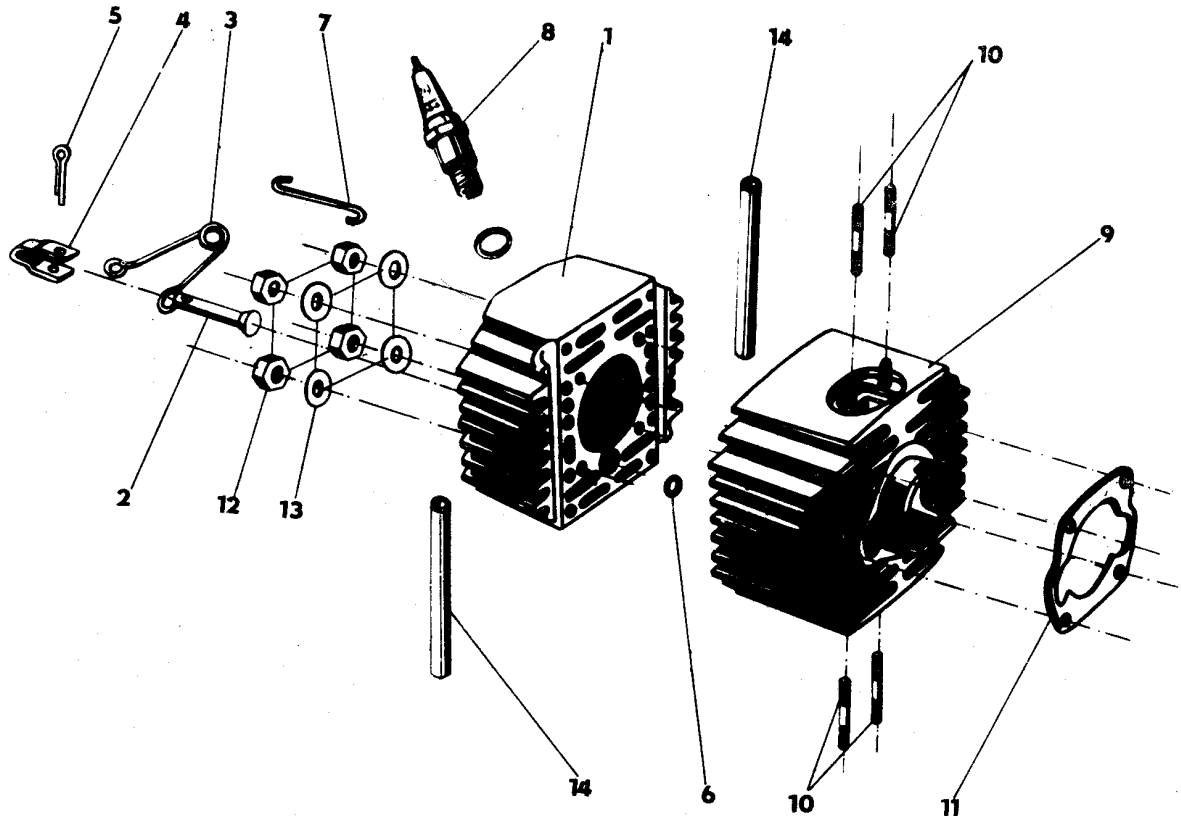
## 2. CRANK MECHANISM

1	2	3	4	5
1	451 9 224 12 001	Crank mechanism	1	601-010000
2	451 9 224 12 002	Connecting rod with orankpin and bearing	1	601-010400
3	324 931 020 853	Needle roller, dia. 2x7.8 CSN 02 3685	25	968-620080
4	451 9 224 12 020	Thrust ring	2	601-018440
5	319 231 000 280	Piston	1	601-09-0200
-	319 231 000 281	Piston for 1st rebore	1	602-090210
-	319 231 000 282	Piston for 2nd rebore	1	602-090220
-	319 231 000 283	Piston for 3rd rebore	1	602-090230
6	326 971 061 097	Piston ring. dia. 32x2	2	864-039520
-	326 971 011 100	Piston ring for 1st rebore	2	864-039620
-	326 971 011 103	Piston ring for 2nd rebore	2	864-039720
-	326 971 011 106	Piston ring for 3rd rebore	2	864-039820
7	451 9 224 12 012	Gudgeon pin	1	908-140031
8	451 9 200 12 015	Wire-formed snap ring	2	992-926014
9	324 592 523 140	Needle roller bearing, K 15x19x13 INA	2	969-640151
10	451 9 224 21 002	Friction washer	1	601-019660
11	451 9 355 12 033	Lock pin	1	635-018310



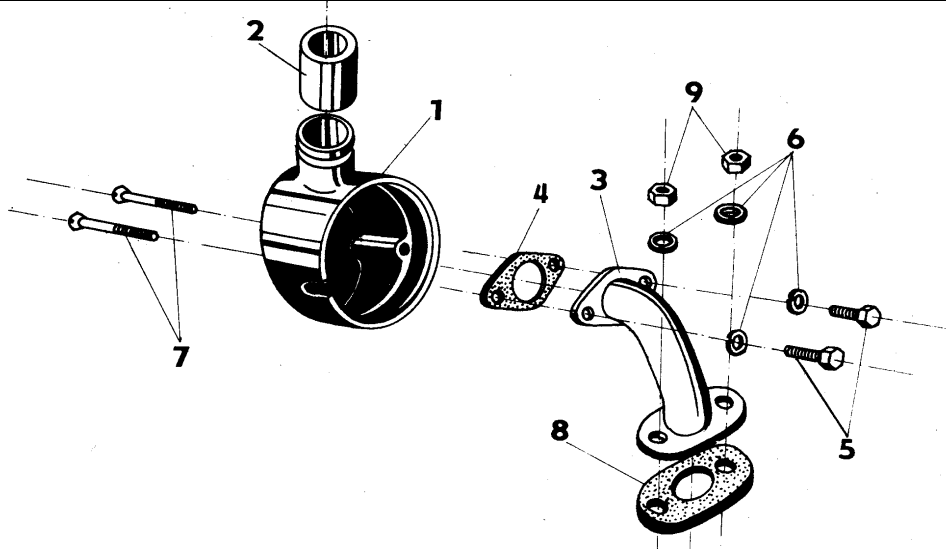
### 3. CYLINDER WITH CYLINDER HEAD

1	2	3	4	5
1	451 9 224 13 053	Cylinder head	1	601-020010
2	451 9 228 13 005	Valve	1	602-024240
3	315 181 202 604	Spring	1	602-028190
4	451 9 228 13 008	Valve retaining clamp	1	602-026420
5	311 318 103 010	Cotter pin, 1.6x10, CSN 02 1781.05	1	984-916810
6	273 111 526 025	Packing ring, 8x2 CSN 02 9281.9	1	602-092951
7	451 9 224 13 120	Hooked suspension wire	1	601-026420
8	443 221 425 762	Sparking plug , N 7R	1	190-917710
9	451 9 224 13 000	Cylinder, complete	1	601-000200
10	451 9 228 13 014	Stud bolt	4	602-009121
11	451 9 228 10 003	Cylinder gasket	1	602-090910
12	311 120 121 060	Nut, iil6, CSN 02 1401.25	4	992-401486
13	311 210 120 064	Washer, B 6.4 CSN 02 1702.05	4	992-701486
14	272 312 055 095	Hose (5" long)	2	930-500559



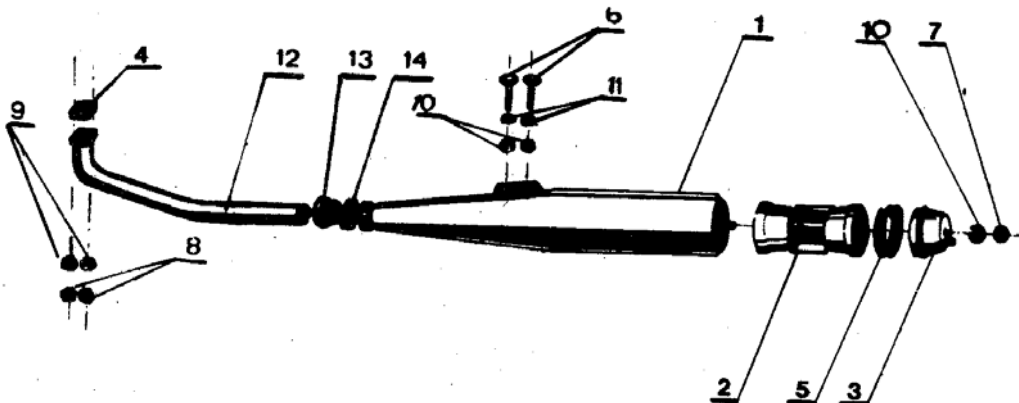
### 4. AIR CLEANER

1	2	3	4	5
1	321 811 703 011	Air cleaner body /210 04 010/	1	601-050640
2	451 9 228 04 009	Pipe	1	602-050610
3	451 9 210 04 003	Flanged air intake pipe, welded	1	601-050620
4	451 9 228 04 002	Gasket to carburettor	1	602-093910
5	309 203 205 012	Capscrew, M5x12, CSN 02 1103.25	2	971-285012
6	311 214 020 051	Washer, 5.1 CSN 02 1740.05	4	992-740485
7	309 255 204 025	Capscrew, M4x25, CSN 02 1155.25	2	976-484025
8	451 9 210 10 017	Gasket	1	601-090911
9	311 120 121 050	Nut M5 CSN 02 1401.25	2	602-059900



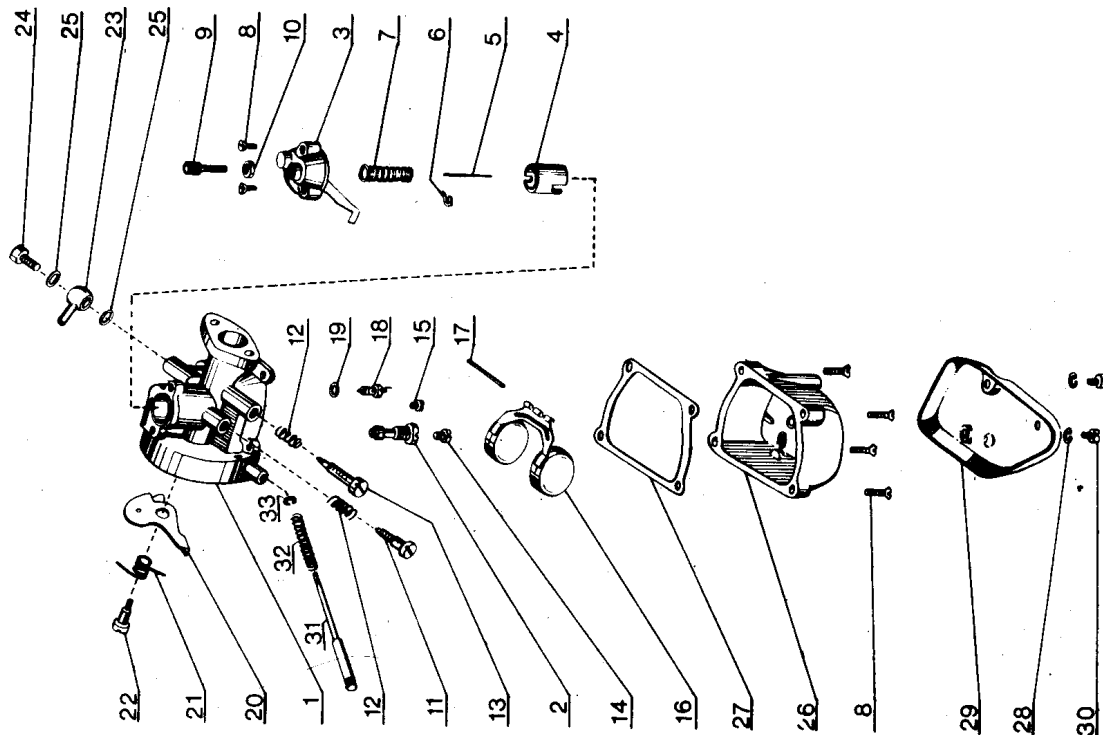
### 6. EXHAUST PIPE AND SILENCER

1	2	3	4	5
-	451921001012	Exhaust pipe and silencer assembly	1	601-600500
1	451 9 210 01 013	Silencer weldment	1	601-600501
2	451 9 228 01 048	Silencer core	1	602-600580
3	451 9 228 01 054	Silencer tail piece, complete	1	602-600571
4	278 422 410 014	Gasket to exhaust pipe	1	602-690850
5	451 9 228 01 056	Packing, dia 2x 180	1	932-062002
6	309 203 206 012	Bolt, M6x12, CSN 02 1103.25	2	971-286012
7	311 120 121 060	Nut, M6, CSN 02 1401.25	1	992-401486
8	311 120 121 050	Nut, M5» CSN 021401.25	2	992-401485
9	311 214 020 051	Washer, 5»1 , CSN 02 1740.05	2	992-740485
10	311 210 120 064	Washer, 6,4, CSN 02 1702.05	3	992-702486
11	311 214 020 061	Washer, 6.1, CSN 02 1740.05	2	992-740486
12	451 9 210 01 004	Exhaust pipe, flanged	1	601-600540
13	451 9 207 01 312	Packing nut	1	602-602164
14	451 9 210 01 015	Packing/asbestos packing cord/2x450au	1	932-062002'



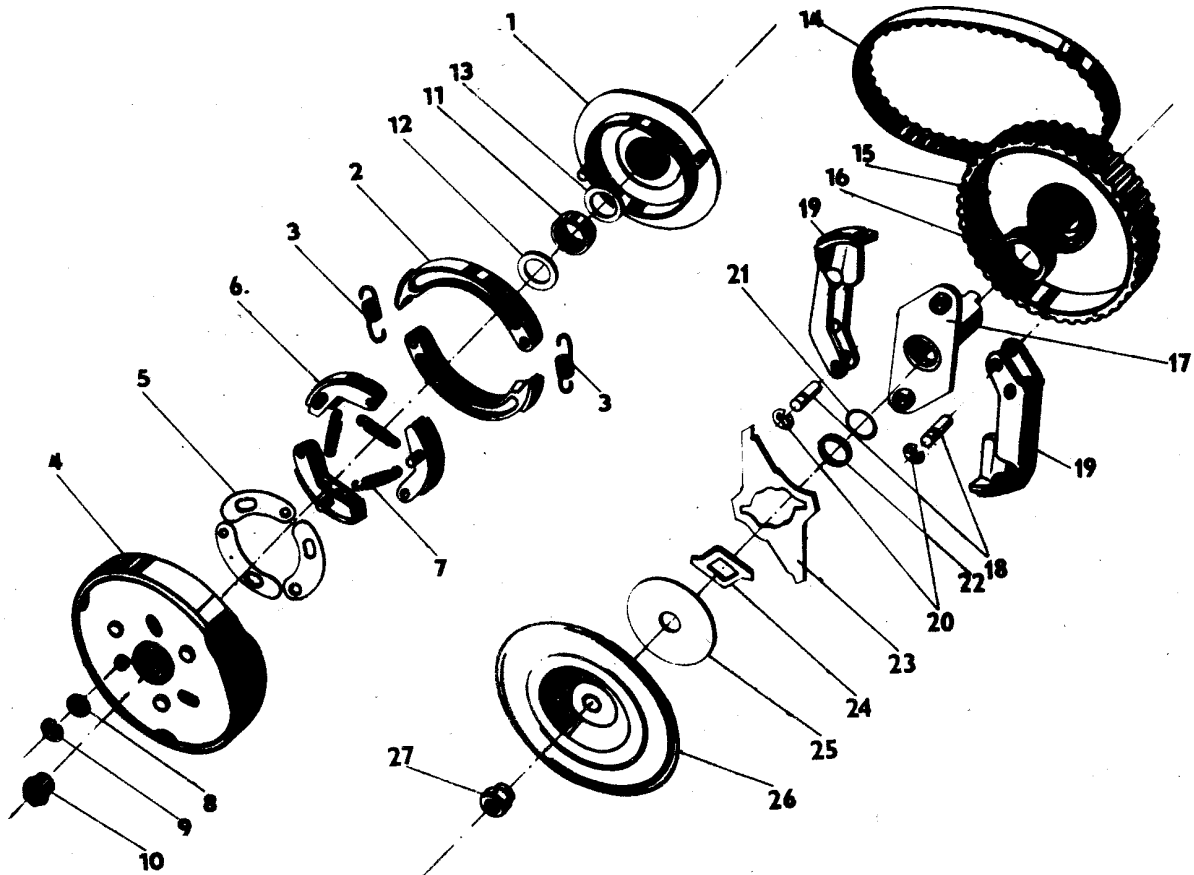
**5.CARBURETTOR**

1	2	3	4	5
-	443 752 282 200	Carburettor, JIKOV 2912 DC"2822"	1	602-943004
1	443 919 370 160	Carburettor body assembly,	1	N
2	443 913 065 302	Venturi tube	1	602-943431
3	443 919 371 810	Cover, complete	1	602-943192
4	443 915 870 451	Throttle valve	1	602-943232
5	443 912 091 703	Throttle valve needle	1	602-943290
6	443 916 013 705	Retainer	1	602-943550
7	315 116 095 090	Throttle valve spring /134 0328/	1	602-943470
8	443 911 010 801	Oval head screw	6	193-940652
9	443 911 033 603	Throttle cable guide	1	699-943581
10	443 911 300 114	Nut	1	605-943710
11	443 911 013 803	Stop screw, throttle valve	1	602-943640
12	315 116 095 070	Spring /134 0123/	2	193-940472
13	443 911 014 902	Control screw	1	699-943614
14	443 911 124 063	Main jet	1	193-951063
15	443 911 122 035	Idling jet	1	699-959335
16	443 919 460 129	Dual float assembly	1	602-943200
17	443 912 010 148	Hinge pin	1	602-943220
18	443 919 340 119	Needle valve assembly	1	602-943450
19	722 923 110 101	Gasket, /625 0248/	1	630-943840
20	443 916 448 102	Orifice plate	1	602-943241
21	315 111 707 250	Orifice plate spring /134 1803/	1	602-943471
22	443 911 018 702	Orifice plate screw	1	602-943651
23	443 913 122 401	Inlet union	1	630-943520
24	443 911 051 501	Inlet union screw	1	110-940600
25	722 923 110 201	Packing ring /625 0127/	2	933-880610
26	443 915 611 311	Float chamber	1	602-943110
27	278 432 505 061	Float chamber gasket /625 8801/	1	602-943800
28	311 214 000 040	Washer 4.1 CSH 02 1740	2	991-740004
29	451 9 210 04 011	Drip- off plate	1	
30	309 231 140 408	Capscrew M4x6 CS11 02 1131.25	2	974-184008
31	443 912 031 603	Button	1	602-943410
32	315 110 004 630	Coil spring /134 0327/	1	602-943474
33	443 916 011 907	Wire-formed snap ring	1	133-945550



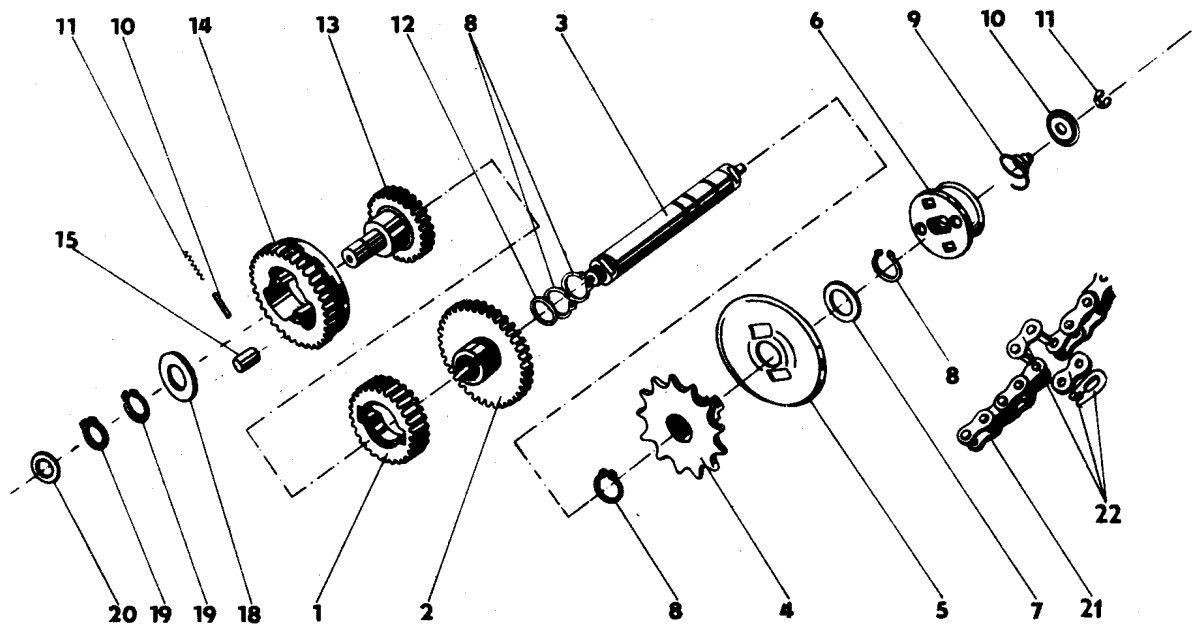
### 7.CLUTCH

1	2	3	4	5
1	451 9 224 21 013	Starting drum assembly	1	601-150680
2	451 9 224 21 015	Starting shoe assembly	2	601-150710
3	315 116 127 170	Tension spring start.shoes /224 21 018/	2	601-158120
4	451 9 224 21 021	Drum,complete	1	601-150681
5	451 9 224 21 037	Leaf spring	3	601-158190
6	451 9 224 21 030	Accelerating shoe,complete	3	601-150711
7	315 116 125 460	Accelerating shoe spring /224 21 033/	3	601-158121
8	451 9 224 21 038	Washer	3	601-159590
9	311 732 900 050	Lock ring, 5. CSS 02 2929.02	3	992-929005
10	451 9 224 10 007	Nut	1	601-159210
11	273 521 002 617	Sealing ring. 15x24x7, CSN 02 9401.0	1	954-015107
12	451 9 224 21 001	Washer	1	601-159591
13	451 9 224 21 003	Washer	1	601-159592
14	272 213 038 024	Indented belt	1	601-092700
15	451 9 224 21 061	Toothed ring to drum,welded	1	601-150682
16	273 521 007 617	Sealing ring, 28x38x7, CSN 02 9401.0	1	954-028107
17	451 9 224 21 042	Driving member, welded	1	601-150670
18	451 9 224 21 049	Hinge pin	2	601-158370
19	451 9 224 21 050	Gear-shift jaw, complete	2	601-150712
20	311 732 900 060	Circlip. 6, CSN 02 2929.02	2	992-929006
21	273 111 010 104	Packing ring, 19x15, CSN 02 9281.1	1	933-019152
22	451 9 224 21 056	Spacer	1	601-158530
23	451 9 224 21 047	Regulating plate	1	601-150672
24	451 9 224 21 046	Inner driving plate	1	601-150671
25	451 9 224 21 065	Thrust plate	1	601-150720
26	451 9 210 10 018	Cover	1	601-152110
27	311 120 303 125	Nut M10 x 1.25 CSN 02 1403.25	1	992-403591



### 8. TRANSMISSIONS

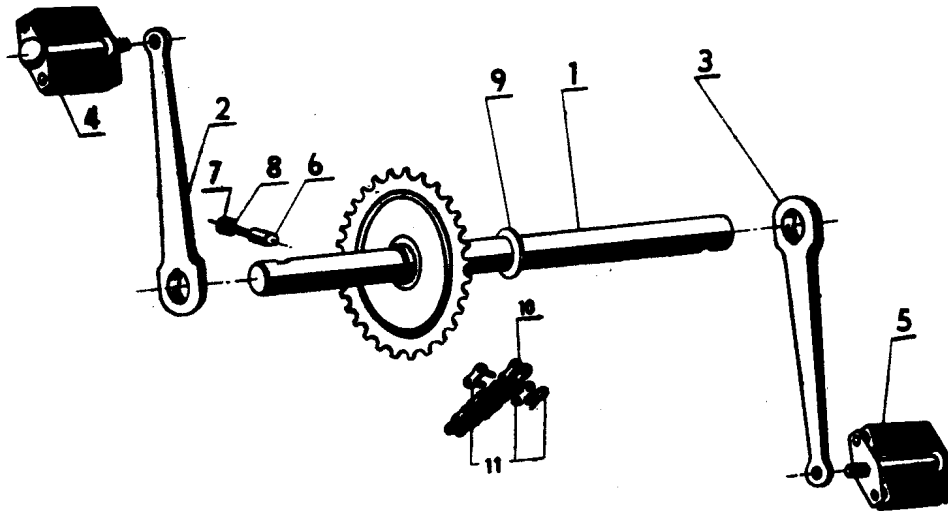
1	2	3	4	5
1	451 9 224 22 001	Driving gear	1	601-210150
2	451 9 224 22 002	Driven gear	1	601-210050
3	451 9 210 22 003	Mainshaft	1	601-210030
4	451 9 210 10 012	Sprocket, 13 teeth	1	601-210510
5	451 9 210 10 009	Cover plate	1	601-212110
6	451 9 210 10 010	Driver, complete	1	601-212550
7	451 9 210 10 014	Washer	1	601-219650
8	311 733 000 150	Circlip. 15, CSN 02 2930	4	992-930015
9	315 116 124 280	Volute spring /210 10 007/	1	601-218190
10	451 9 210 10 013	Washer	1	601-219651
11	311 732 900 050	Circlip 5, CSN 02 2929.02	1	992-929005
12	451 9 224 21 003	Friction washer	1	601-159592
13	451 9 224 22 014	Layshaft, pressed together	1	601-210120
14	451 9 224 22 008	Idling- speed gear	1	601-210540
15	324 921 081 253	Roller, III 8x12, CSN 02 3685	3	968-508010
16	324 931 031 253	needle roller III 3x11.8 CSN 02 3685	3	968-630120
17	315 116 119 420	Spring /224 22 010/	3	601-218110
18	451 9 210 22 013	Washer	1	601-219652
19	311 733 300 120	Circlap, 12, CSN 02 2930	2	992-930012
20	451 9 224 22 011	Washer	1	601-219653
21	318 111 062 112	Chain, 111 links, 086, CSN 02 3311.0 Size 420 (1/2" pitch x 1/4" wide)	1	900-018112
22	318 911 106 020	Chain link, 086, CSN 02 3311.3	1	900-901181





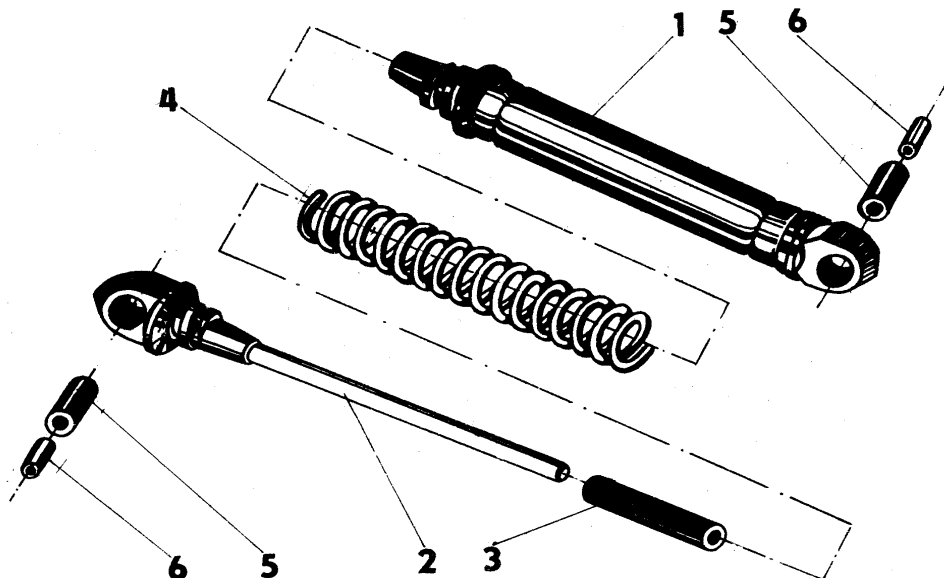
**9. PEDAL DRIVE TRANSMISSION MECHANISM**

1	2	3	4	5
1	451 9 210 25 010	Pedal shaft, weldment	1	601-220520
2	451 9 228 25 005	Pedal crank, l.h.	1	602-600633
3	451 9 228 25 004	Pedal crank, r.h.	1	602-600632
4	543 918 998 441	Pedal, l.h.	1	602-600620
5	543 918 998 442	Pedal, r.h.	1	602-600621
6	543 901 030 077	Pedal crank key	2	605-228210
7	311 120 121 060	Nut, M6, CSM 02 1401.25	2	992-401486
8	311 210 120 064	Washer, B 6.4 CSK 02 1702.50	2	992-701486
9	451 9 228 25 003	Washer, 17	2	602-229650
10	318 111 042 082	Chain, 81 links, 081, CSK 02 3311.0 Size 410 (1/2" pitch x 1/8" wide)	1	900-010082
11	318 911 104 020	Chain link. 081, CSN 02 3311.3	1	900-901100



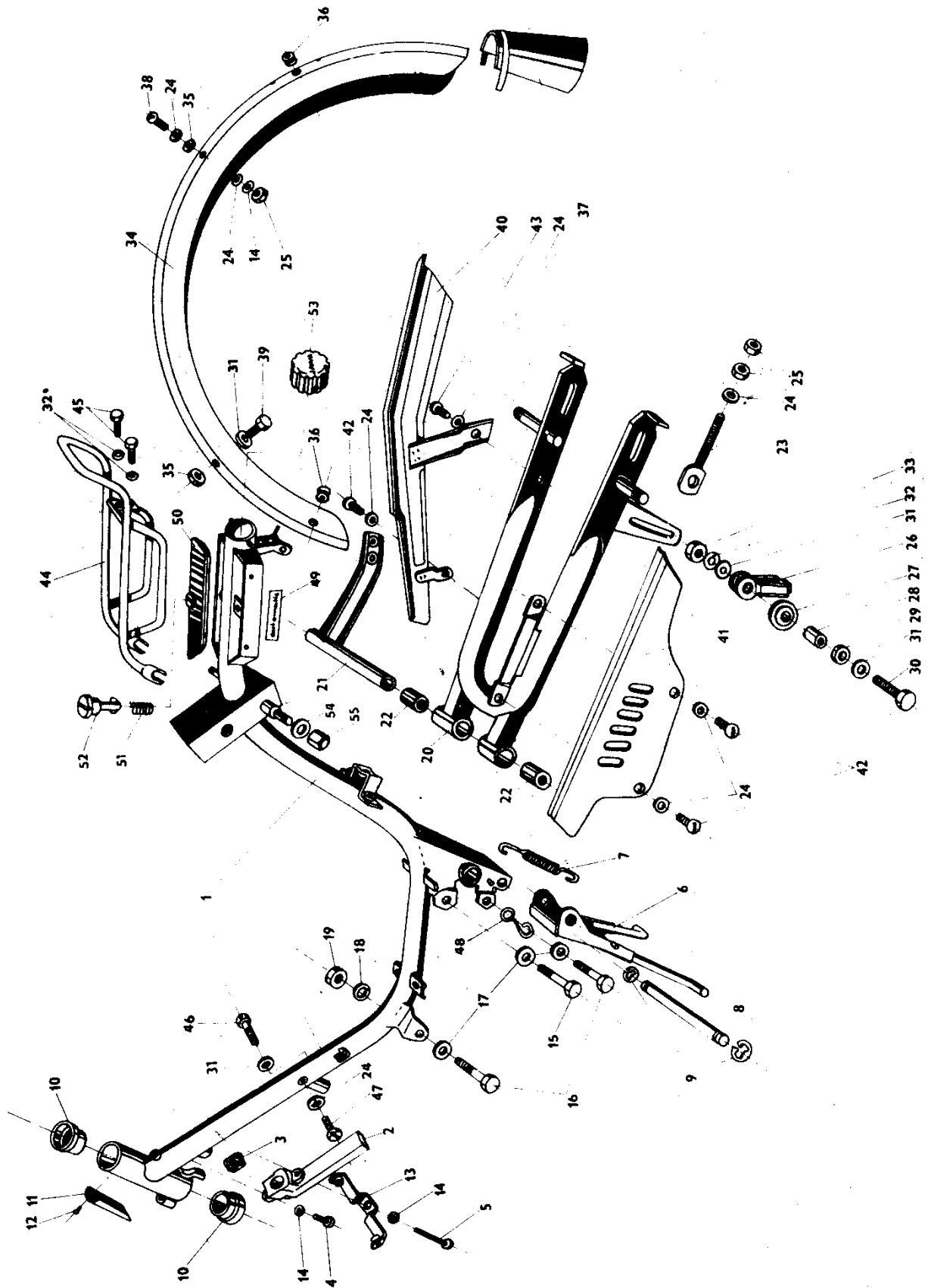
**10a REAR TELESCOPIC SHOCK ABSORBERS**

1	2	3	4	5
-	443 622 477 801	Rear telescopic shock assembly /210 35 000/	2	601-350700
1	451 9 210 35 001	Bottom lug with sleeve assembly	2	601-356410
2	451 9 210 35 009	Top lug with push rod	2	601-356411
3	451 9 207 35 112	Rubber stop	2	602-395801
4	451 9 210 35 016	Coil spring	2	601-358110
5	273 211 003 470	Inner bush	4	614-358091
6	451 9 200 35 009	Spacer	4	614-358090



**10. FRAME**

1	2	3	4	5
-	451 9 210 30 001	Frame c/w rear swinging fork	1	601-600010
1	451 9 210 31 000	Frame weldment	1	601-600011
2	451 9 228 04 011	Intake silencer cover	1	602-050640
3	313 215 303 111	Wire- gauze filter /207 04 505/	1	602-050690
4	309 231 205 010	Capacrew, M5 x 10, CSN 02 1131.25	1	974-185010
5	309 231 205 040	Capscrew, M5 x 40, CSN 02 1131.25	1	974-185040
6	451 9 210 37 050	Stand, complete weldment	1	601-600720
7	451 9 228 37 004	Stand spring	1	602-608120
8	451 9 210 30 020	Stand hinge pin	1	601-606010
9	311 732 900 070	Lock ring Ø 7 CSN 02 2929	2	992-929007
10	451 9 359 31 011	Cup	2	615-600800
11	548 232 032 400	Name plate /210 02 000/	1	601-606480
12	311 519 503 006	Nail, 3 x 6, CSN 02 2195	2	981-702006
13	451 9 210 30 007	Cover retainer, weldment	1	601-602311
14	311 214 020 051	Washer, 5.1, CSN 02 1740.05	5	992-740485
15	309 201 208 050	Bolt, M8 x 50, CSN 02 1101.55	1	970-088050
16	309 501 080 036	Bolt, M8 x 70, CSN 02 1101.55	2	970-088070
17	311 210 120 084	Washer, 8.4, CSN 02 1702.15	3	992-702488
18	311 214 020 082	Washer, 8.2, CSN 02 1740.05	3	992-740488
19	311 120 121 080	Nut, M8, CSN 02 1401.25	3	992-401488
20	451 9 210 32 001	Swinging rear fork, weldment	1	601-350510
21	451 9 210 30 004	Exhaust silencer bracket, weldment	1	601-602310
22	451 9 207 32 120	Bush	2	602-395800
23	451 9 207 08 301	Tensioning bolt, weldment	2	602-330424
24	311 210 120 053	Washer, 5.3, CSN 02 1702.05	8	991-702005
25	311 120 121 050	Nut, M5, CSN 02 1401.25	2	992-401485
26	451 9 228 30 021	Guide of chain	1	602-332860
27	451 9 228 30 022	Roller of chain	1	602-330430
28	451 9 228 30 023	Bush	1	602-338090
29	451 9 207 30 111	Spacer	1	602-608092
30	309 203 206 030	Bolt, M6 x 30, CSN 02 1103.25	1	971-286030
31	311 210 120 064	Washer, 6.4, CSN 02 1702.15	7	992-708486
32	311 214 020 061	Washer, 6.1, CSN 02 1740.05	3	992-740486
33	311 120 121 060	Nut, M6. CSN 02 1401.15	5	992-401486
34	451 9 210 33 001	Rear wing, weldment	1	601-670350
35	451 9 210 00 025	Washer	3	601-679800
36	273 121 010 080	Grommet, 3.5 x 1, CSN 63 3881.1	2	930-903511
37	451 9 228 33 006	Wing flap, complete	1	602-679952
38	309 203 205 012	Screw, M5 x 12, CSN 1146.25	2	975-085012
39	309 203 206 012	Screw, M6 x 12, CSN 02 1103.25	1	971-286012
40	451 9 210 03 000	Chainguard, weldment	1	601-670210
41	451 9 210 03 010	Guard, pedal shaft sprocket	1	601-670211
42	309 246 205 010	Screw. M5 x 10, CSN 02 1146.25	3	975-085010
43	309 146 000 514	Screw, M5 x 16, CSN 02 1146.25	1	975-085016
44	451 9 210 34 061	Luggage carrier, weldment	1	601-670510
45	309 203 206 014	Screw, M6 x 14, CSN 02 1103.55	2	971-286014
46	309 231 206 018	Screw, M6 x 18, CSN 02 1131.25	2	974-186018
47	309 231 000 511	Screw, M5 x 12, CSN 02 1131.25	1	974-185012
48	451 9 210 00 006	Fastening lug	1	601-608680
49	451 9 210 00 028	Sticker on box with inscription " Automatic "	2	601-676460
50	321 811 703 084	Box cover /210 71 017/	2	601-602060
51	315 116 119 450	Spring /210 71 015/	2	601-608190
52	321 841 703 013	Pin /210 71 016/	2	601-606080
53	321 841 703 012	Plug /210 71 019/	1	601-604680
54	311 214 500 084	Washer 8.4 CSN 02 1745.05	4	992-745488
55	311 123 101 080	Nut M8 CSN 02 1431.25	4	992-431488



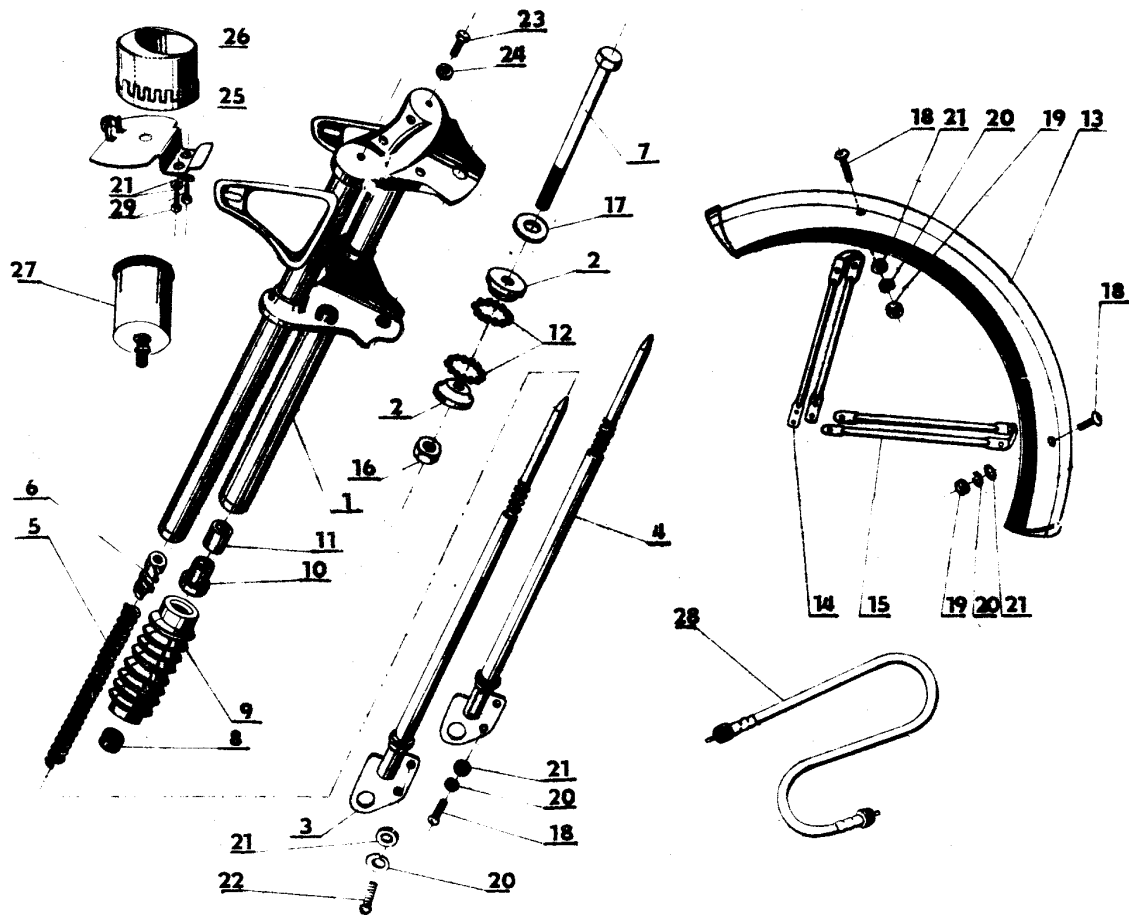
## 11. WHEELS

1	2	3	4	5
1	451 9 210 51 002	Front wheel hub with rim	1	601-430710
2	451 9 228 51 002	Spacing bush	2	602-338091
3	451 9 210 51 003	Front wheel hub	1	601-430010
4	451 9 228 51 006	Packing ring cup	2	602-338580
5	685 931 218 600	Packing ring	3	602-393960
6	451 9 228 51 008	Washer	3	602-339660
7	451 9 207 51 004	Rim 2 1/4 x 16"	2	602-330741
8	451 9 207 51 003	Wire spoke, M3 x l60, ONA 30 7650	36	602-330602
9	311 935 320 030	Spoke nut. M3 ONA 30 7653.11	72	995-900030
10	324 165 010 000	Bearing No. 6001, CSN 02 4630	4	960-600100
11	311 173 931 903	Circlip 28 CSN 02 2931	3	992-931028
12	451 9 210 51 005	Front brake cover, complete	1	601-430110
13	451 9 210 51 006	Brake backing plate	1	601-430130
14	451 9 210 56 017	Brake shoe, complete	4	601-330140
15	451 9 228 51 021	Brake-shoe pull-off spring	4	602-338120
16	451 9 228 51 022	Brake toggle	2	602-330160
17	451 9 210 51 008	Brake lever	1	601-430170
18	451 9 228 51 024	Washer 10.2	2	602-339661
19	311 210 120 064	Washer. B 6.4 CSN 02 1702.15	2	992-701486
20	311 210 121 060	Nut, M6 CSN 02 1401.25	2	992-401486
21	311 214 020 061	Washer, 6.1 CSN 02 1740.05	8	992-740486
22	451 9 228 51 025	Front wheel spindle	1	602-430511
23	451 9 228 51 027	Distance tube	2	602-338092
24	451 9 228 51 028	Ring	1	602-438421
25	274 121 142 111	tyre, 2 1/4 x 16"	2	916-214302
26	274 421 151 311	Inner tube. 2 1/4 x 16 "	2	916-214000
27	274 612 131 107	Flap, 16"	2	916-000011
28	311 210 120 130	Washer, B 13 CSB 02 1702.05	2	992-701492
29	311 120 233 121	Nut, M12 x 1.5 CSN 02 1402.25	2	992-402192
30	311 214 020 122	Washer, 12.2 CSN 02 1740.05	2	992-740492
31	451 9 207 56 001	Rear wheel hub with rim	1	602-330011
32	451 9 228 56 018	Rear wheel hub	1	602-330012
33	451 9 210 56 009	Rear brake, complete	1	601-330110
34	451 9 228 56 006	Spring	1	602-338180
35	451 9 207 56 003	Rear brake backing plate	1	602-330132
36	451 9 210 56 006	Chain wheel	1	601-330410
37	451 9 228 56 020	Packing ring cup	1	602-338581
38	451 9 228 56 014	Rear wheel spindle	1	602-330511
39	451 9 210 56 032	Spacing bush	1	601-338090
40	309 503 000 612	Screw, M6 x 14, CSN 02 1103.55	6	971-085014
41	451 9 207 51 002	Wire spoke, M3 x 160, ONA 30 7650.19	36	602-330603
42	543 920 032 000	Freewheel pinion, 18 teeth	1	602-330411
43	451 9 210 56 025	Reaction stop plate	1	601-330550
44	451 9 210 56 016	Rear brake lever	1	601-330170
45	451 9 228 57 015	Sleeve, r.h.	1	601-432160
46	685 931 001 700	Packing ring	1	602-159960
47	451 9 228 57 016	Sleeve, l.h.	1	601-432161
48	451 9 210 51 013	Internal driving gear of speedometer	1	601-430340
49	451 9 210 51 016	Driven gear of speedometer	1	601-430341
50	451 9 210 51 017	Bearing of moving speedometer	1	601-430300
51	309 283 700 510	Screw, M5 x 10, CSN 02 1183.25	1	977-785010



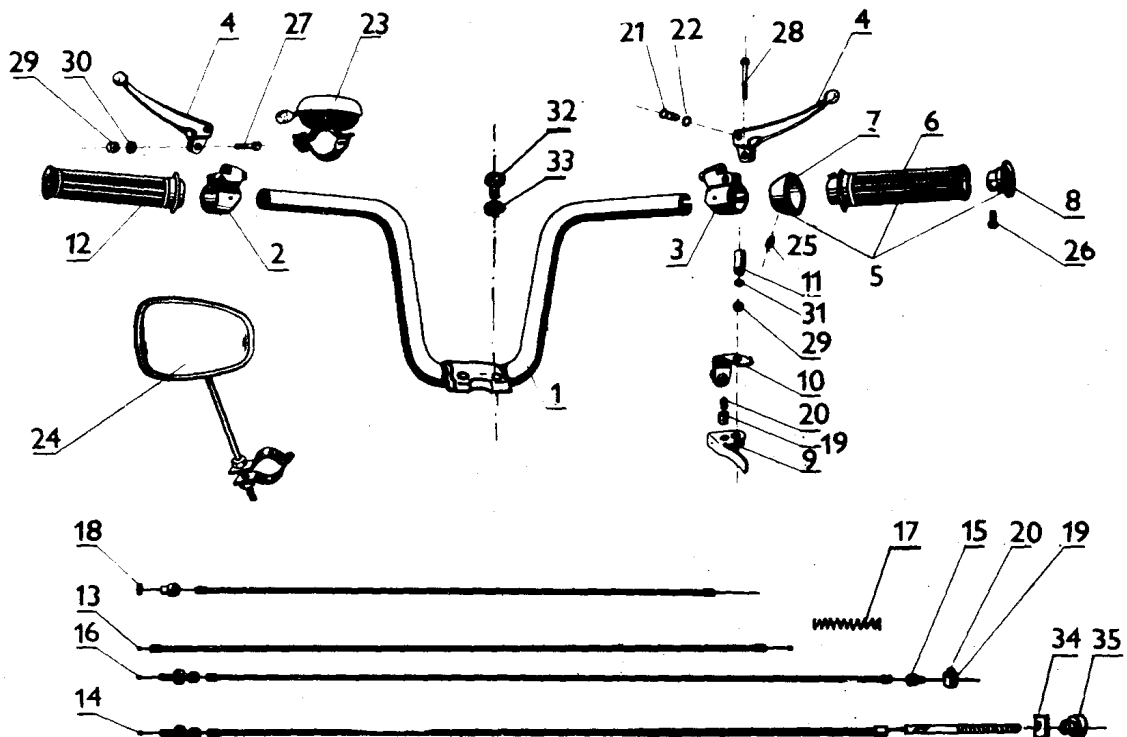
## 12. TELESCOPIC FRONT FORK

1	2	3	4	5
1	451 9 210 41 002	Front fork lug assembly	1	601-450550
2	451 9 207 41 336	Cup	2	602-450601
3	451 9 207 41 321	Slider, l.h., weldment	1	602-450643
4	451 9 207 41 331	Slider, r.h., weldment	1	602-450653
5	451 9 228 41 007	Coil spring	2	602-458110
6	451 9 207 41 327	Spring abutment, top	2	602-456411
7	451 9 207 41 337	Steering bolt, weldment	1	602-459010
8	451 9 207 41 326	Stop	2	602-495800
9	451 9 207 41 335	Dust boot	2	602-495820
10	451 9 207 41 315	Bottom bush	2	602-458091
11	321 841 703 068	Guide bush	2	602-458090
12	324 912 050 052	Recirculating balls 5, CSN 02 3680	42	968-405000
13	451 9 210 43 001	Front wing	1	601-670300
14	451 9 210 43 002	Front wing strut, top	1	601-670310
15	451 9 210 43 003	Front wing atrut, bottom	1	601-670311
16	311 120 121 120	Nut, M12, CSN 02 1403.25	1	992-403492
17	311 210 220 130	Washer, 13, CSN 02 1702.15	1	992-702492
18	309 246 205 010	Bolt, M5 x 10 CSN 02 1146.25	6	975-085010
19	311 120 121 050	Nut, M5, CSN 02 1401.25	4	992-401485
20	311 214 020 051	Washer, 5.1, CSN 02 1740.05	8	992-740485
21	311 210 120 053	Washer, 5.3, CSN 02 1702.05	10	992-702485
22	309 203 205 012	Capscrew, M5 x 12, CSN 02 1146.25	2	975-085012
23	309 203 206 014	Capscrew, M6 x 14, CSN 02 1103.25	2	971-286014
24	311 210 120 064	Washer, 6.4, CSN 02 1702.15	2	992-702486
25	451 9 210 00 010	Speedometer bracket, weldment	1	601-452310
26	321 811 703 082	Speedometer housing /207 07 368/	1	601-961100
27	443 400 000	Speedometer	1	614-981020
28	443 441 273 060	Complete speedometer drive /220 00 014/	1	601-981090
29	309 203 205 012	Capscrew M5 x 12 CSN 02 1103.55	2	971-085012



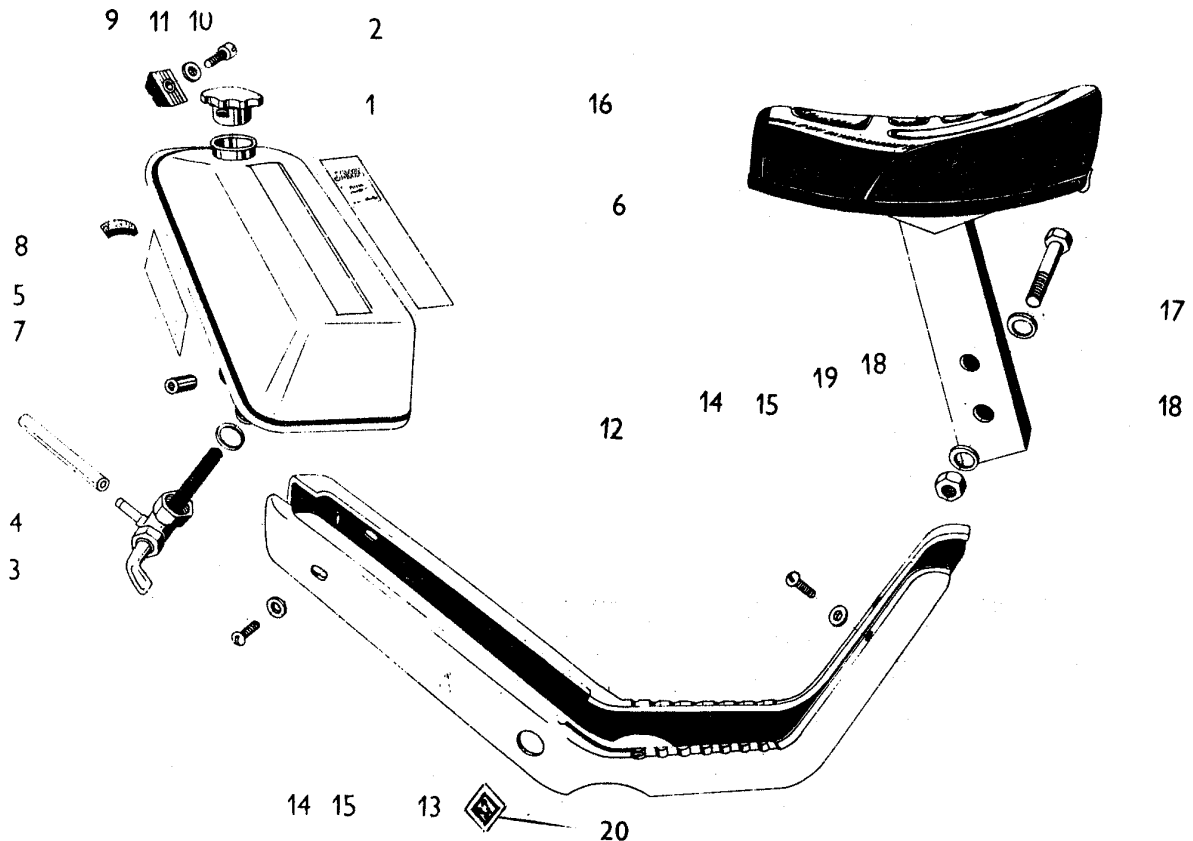
### 13. HANDLEBAR

1	2	3	4	5
1	451 9 207 46 307	Handlebar, weldment	1	602-500807
2	451 9 228 46 043	Hand brake lever bracket, r.h.	1	602-502313
3	451 9 555 46 053	Hand brake lever bracket, l.h.	1	615-502160
4	451 9 228 46 041	Hand brake lever assembly	2	602-500943
5	451 9 236 46 005	Twistgrip assembly	1	620-500810
6	451 9 236 46 014	Twistgrip	1	620-500820
7	451 9 236 46 015	Twistgrip sleeve, complete	1	602-500830
8	451 9 236 46 013	Plug	1	620-504680
9	451 9 228 46 012	Deconpresor lever	1	602-500960
10	451 9 228 46 049	Decompressor arm, complete	1	602-502314
11	451 9 228 46 053	Spacer	1	602-508062
12	321 831 001 000	Grip l.h. /353 46 202/	1	658-591950
13	451 9 207 46 335	Throttle cable assembly	1	602-500871
14	451 9 210 46 040	Rear brake cable assembly	1	601-520900
15	451 9 228 46 033	Cable stop piece	1	602-522780
16	451 9 207 46 325	Front brake cable	1	602-500902
17	451 9 228 46 0225	Coil spring	1	602-508111
18	451 9 210 46 052	Decompressor cable assembly	1	601-522780
19	451 9 353 46 031	Adjustable end piece	2	659-522780
20	451 9 550 46 030	Screw	2	614-529090
21	451 9 228 46 011	Inset	2	602-508061
22	315 181 200 044	Circlip, 8, CSN 02 2925.2	2	992-925208
23	543 412 020 101	Bell	1	N
24	443 332 360 865	Rear-view mirror	1	699-590380
25	309 285 505 008	Screw, M5 x 8, CSN 02 1185.25	2	977-885008
26	309 255 205 010	Screw, M5 x 10, CSN 02.1155.25	1	976-585010
27	309 231 205 020	Bolt, M5 x 20, CSN 02 1131.25	1	974-185020
28	309 231 205 040	Bolt, M5 x 40, CNS 02 1131.25	1	974-185040
29	311 120 121 050	Nut, M5, CSN 02 1401.25	2	992-401485
30	311 214 020 051	Washer, 5.1, CSN 02 1740.05	2	992-740485
31	311 210 120 053	Washer, 5.3, CSN 02 1702.05	1	992-702485
32	309 203 206 025	Screw, M6 x 25, CSN 02 1101.25	4	970-286025
33	311 210 120 064	Washer, 6.4, CSN 02 1702.15	4	992-702486
34	451 9 200 37 022	Roller	1	614-502890
35	451 9 200 37 023	Nut	1	614-509330



### 14. COWLS, FUEL TANK, SADDLE

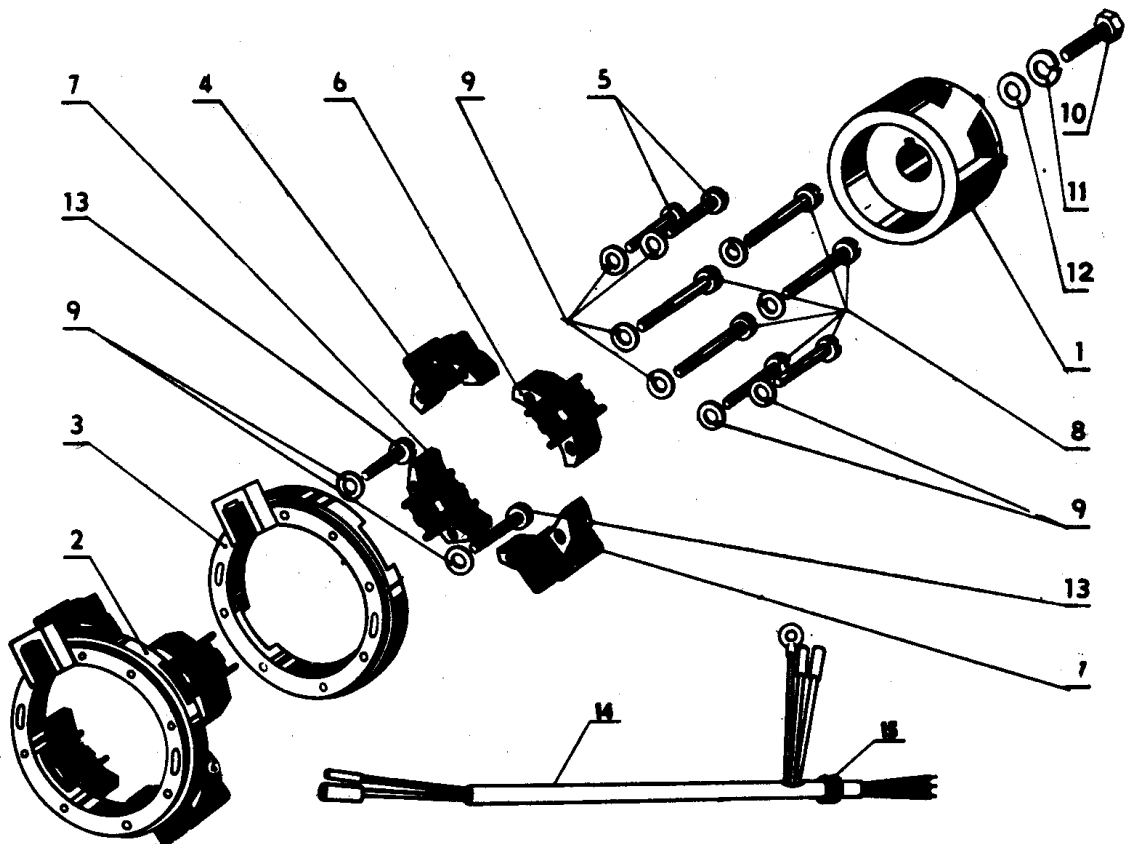
1	2	3	4	5
1	451 9 210 38 001	Fuel tank, weldment	1	601-610020
2	451 9 207 38 315	Filler cap	1	602-614011
3	443 761 282 900	Fuel cock	1	601-691020
4	283 362 405 000	Fuel hose 1=110 (4 1/2" long)	1	930-540558
5	451 9 210 38 023	Sticker with inscription "JAWA"	2	601-676461
6	451 9 210 38 017	Top sticker	1	601-676462
7	451 9 210 38 020	Sleeve	2	601-679801
8	451 9 210 38 021	Support	1	601-679802
9	321 811 703 086	Fuel tank clip /210 00 005/	1	601-616430
10	309 231 000 617	Capscrew, M6 x 22, CSN 02 1131.25	1	974-186022
11	311 210 120 064	Waaber, 6.4, CSN 02 1702.15	1	992-702486
12	321 811 703 088	Cowl r.h. /210 71 005/	1	601-670160
13	321 811 703 087	Cowl l.h. /210 71 007/	1	601-670150
14	309 203 205 012	Capscrew. M5 x 12, CSN 02 1146.25	6	975-085012
15	311 210 120 053	Washer, 5.3, CSN 02 1702.15	6	992-702485
16	451 9 210 73 000	Saddle /4624/	1	601-697000
17	309 501 001 038	Bolt, M10 x 80, CSN 021101.55	1	970-090080
18	311 212 900 110	Washer, 11, CSN 02 1729.15	2	992-729490
19	311 123 101 100	Nut. M10, CSN 02 1431.25	1	992-431490
20	451 9 210 71 010	Sticker off fuel cock	1	601-676463





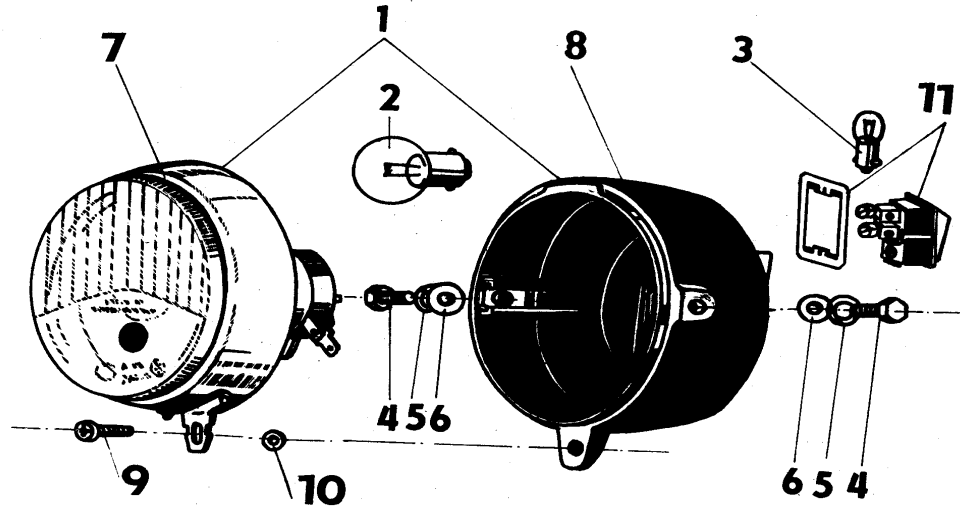
# 15. ALTERNATOR

1	2	3	4	5
-	443 113 534 120	Alternator assembly, 6 V/20 W /210 61 000/	1	601-908010
1	443 990 203 025	Rotor /228 61 002/	1	602-908130
2	443 990 133 071	Stator assembly /210 61 002/	1	601-908120
3	443 990 113 311	Stator frame, complete /210 61 004/	1	601-908100
4	443 990 133 040	Ignition pole /207 61 005/	1	602-908357
5	309 231 204 014	Screw, M4 x 14, CSN 02 1131.15	2	974-184014
6	443 990 113 321	Lighting pole I assembly /210 61 005/	1	601-908350
7	443 990 113 331	Lighting pole II assembly /210 61 006/	1	601-908351
8	309 231 204 020	Screw, M4 x 20. CSN 02 1131.25	6	974-364020
9	311 214 420 041	Washer, 4.1, CSN 02 1745.05	10	992-740484
10	309 203 205 025	Capscrew, M5 x 25, CSN 02 1103.24	1	971-265025
11	311 214 020 051	Washer, 5.1, CSN 02 1740.05	1	992-740485
12	311 210 120 053	Washer, 5.3, CSN 02 1702.05	1	992-702485
13	309 231 204 022	Screw, M4 x 22, CSN 02 1131,24	2	974-364022
14	451 9 210 60 002	Bunched cables	1	601-030500
15	273 121 120 030	Grommet /150-49-005/	1	930-990803



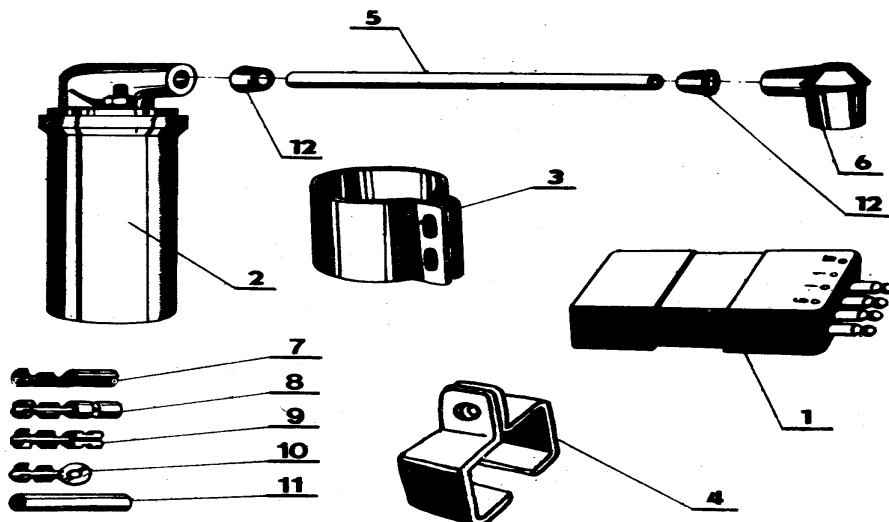
### 16. HEADLAMP

1	2	3	4	5
1	443 311 106 101	Headlamp assembly	1	601-920000
2	347 223 112 240	Headlamp bulb 6V 15W Ba 15s	1	909-511515
3	347 225 111 340	Speedometer lamp 6V 1.2W Ba 7	1	909-811207
4	309 203 206 014	Capscrew M6 x 14 CSN 02 1103.55	2	971-086014
5	311 210 120 064	Washer 6,4 CSN 02 1702.15	2	992-702486
6	311 314 020 061	Washer 6.1 CSN 02 1740.05	2	992-740486
7	443 958 111 040	Optical Insert	1	601-920150
8	443 958 113 045	Headlamp bush	1	N
9	309 332 004 014	Capscrew M4 x 14 CSN 02 1232.0	1	979-504014
10	443 952 001 003	Washer	1	110-922770
11	345 355 401 615	Cradle switch	1	601-920390



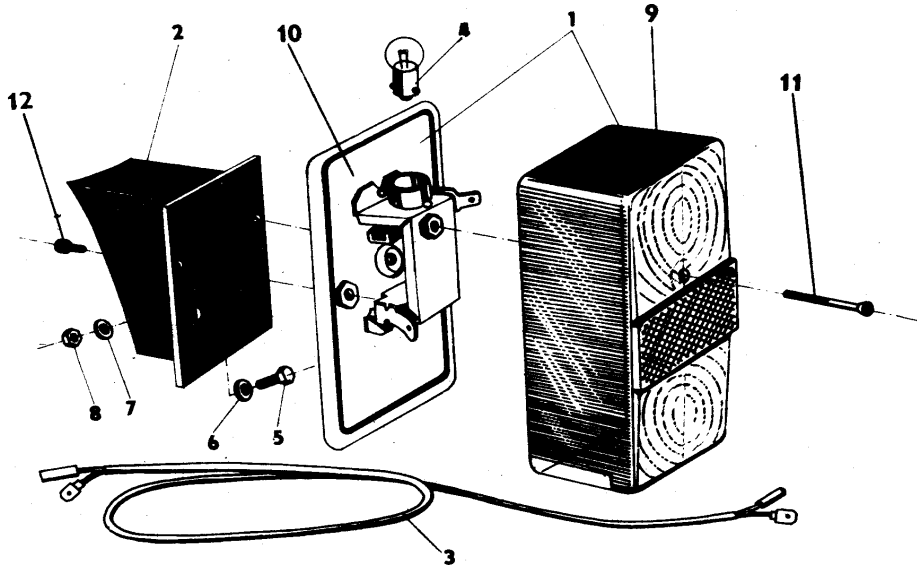
### 17. IGNITION

1	2	3	4	5
1	443 990 088 014	Ignition thyristor unit /210 66 000/	1	601-908040
2	443 212 210 600	Ignition coil	1	602-914001
3	443 930 220 560	Ignition coil holder	1	699-914500
4	451 9 210 66 016	Split bracket	1	601-908500
5	451 9 210 60 093	Ignition cable	1	601-036610
6	371 511 341 000	Pothead	1	199-939500
7	443 858 000 012	Female connector	6	199-939661
8	443 858 008 002	Male connector	2	193-939650
9	443 858 006 032	Flat connector	3	199-939660
10	451 9 359 60 122	Cable lug	1	602-030800
11	451 9 228 60 015	Insulating tubing	6	N
12	273 125 031 534	Cover	1	699-914800



### 18. TAIL LAMP

1	2	3	4	5
1	443 312 214 101	Tail lamp assembly	1	601-924000
2	321 811 703 018	Tail lamp bracket /210 33 011/	1	601-672310
3	451 9 210 60 017	Bunched cables	1	601-030501
4	347 224 131 540	Bulb 6V 5W BA 15s	1	909-300515
5	309 203 205 102	Bolt M5x12 CSN 02 1103.55	2	971-085012
6	311 210 120 053	Washer 5.3 CSN 02 1702.I5	2	992-702485
7	311 212 600 053	Washer 5.3 CSN 02 1726.15	2	992-726485
8	311 120 121 050	Nut M5 CSN 02 1401.25	2	992-401485
9	321 015 084	Cover of tail lamp /08-7682.68/	1	601-924260
10	443 958 123 039	Body of tail lamp	1	N
11	309 835 005 016	Bolt M5 x 16 CSH 02 1135.80	1	977-005616
12	309 203 005 012	Bolt M5 x 12 CSH 02 1103.25	2	971-285012



### 19. TOOL KIT

1	2	3	4	5
1	451 9 228 75 002	Combination spanner	1	602-676960
2	451 9 200 75 012	Tubular wrench for sparking plug	1	658-676963
3	451 9 220 75 009	Spanner, 13/17	1	N
4	549 900 006 700	Screwdriver	1	602-676950
5	451 9 555 71 024	Spanner, 10, CSN 23 0651	1	N
6	451 9 555 71 023	Tommy bar, 5, CSN 23 0659	1	N
7	413 531 035 001	Tyre inflator	1	699-690701
8	549 633 011 000	Lock	1	699-988060

